

# Cable ladder systems

Metsec cable ladder systems have been developed to provide cost effective solutions for the support of cables in a wide range of market sectors.

These sectors include:

- \* Commercial
- \* Education
- \* Health
- \* Oil and Gas
- \* Petrochemical
- \* Power Generation
- \* Retail
- \* Telecoms
- \* Tunnels

The comprehensive Metsec cable ladder range consists of four systems commencing with the 50mm deep light duty, up to the 150mm deep extra heavy duty, all with a wide offering of accessories.

Slotted side rails whilst allowing easy connection to each other also allows site cut ladders to be connected generally without the need to drill. Additionally, Metsec cable ladders have an excellent strength to weight ratio providing a versatile approach to the support of cables.

For projects requiring long, straight runs of cable ladder, Metsec manufactures to order 6m lengths of straight ladder that speeds up the installation process and reduces the number of splice plates required for an even more cost effective solution. This would be particularly applicable to tunnel projects and large power stations or petrochemical installations.



Metsec is a leading manufacturer of cable ladder for not only the UK market, but also manufactures for export. European widths of cable ladder are available in increments of 100mm up to 900mm wide.

Rung configurations are traditionally with open faces alternately positioned up and down at 300mm centres. Cable ladders with rungs facing all down or all up are also available to order.

Offering comprehensive design solutions and flexible production through lean manufacturing principles, and with a very high on-time and in-full delivery performance, Metsec has earned the reputation for its high level of service.

## Development and testing

Metsec cable ladder systems have been developed in house and fully supported by independent testing in the Department of Mechanical Engineering at the University of Strathclyde.

Further verification testing has also been carried out under the requirements of BS EN 61537:2007 - cable management - cable tray systems and cable ladder systems. These tests include: impact resistance, marking, connection of re-usable components, safe working load tests, electrical continuity, and performance of steel at extreme temperature ranges.





### Load tables

Safe load tables are provided in a unique format for easy comparison and cost optimisation.

Load tables assume an even distribution of load across the width of the ladder fixed in a horizontal plane, and that the loading is similar on at least two or more continuous spans.

For non-uniform loads or spans/loadings outside the scope of the tables, please contact Metsec for advice.

### Ladder table

LOAD w	TYPE											
	50mm deep			100mm deep			125mm deep			150mm deep		
kg/m	s	d	dp	s	d	dp	s	d	dp	s	d	dp
25	3.931	19.7	19.7	6.000	19.6	30.0	6.000	8.7	30.0	6.000	5.4	30.0
50	3.120	15.6	15.6	5.487	27.4	27.4	6.000	17.3	30.0	6.000	10.9	30.0
75	2.725	13.6	13.6	4.564	19.7	22.8	6.000	26.0	30.0	6.000	16.3	30.0
100	2.396	10.9	12.0	3.952	14.8	19.8	5.321	21.4	26.6	6.000	21.8	30.0
125	2.143	8.7	10.7	3.535	11.8	17.7	4.760	17.1	23.8	5.476	18.9	27.4
150	1.956	7.2	9.8	3.227	9.8	16.1	4.345	14.3	21.7	4.999	15.7	25.0
175	1.811	6.2	9.1	2.988	8.4	14.9	4.023	12.2	20.1	4.628	13.5	23.1
200	1.694	5.4	8.5	2.795	7.4	14.0	3.763	10.7	18.8	4.329	11.8	21.6
225	1.597	4.8	8.0	2.635	6.6	13.2	3.548	9.5	17.7	4.081	10.5	20.4
250	1.515	4.3	7.6	2.500	5.9	12.5	3.366	8.6	16.8	3.872	9.4	19.4
275	1.445	3.9	7.2	2.383	5.4	11.9	3.209	7.8	16.0	3.692	8.6	18.5
300	1.383	3.6	6.9	2.282	4.9	11.4	3.072	7.1	15.4	3.535	7.9	17.7

's'– maximum spacing of supports in metres

'd'– maximum deflection in end span in mm

'dp'– allowable deflection (span/200) in mm

'w'– safe working load in kg per linear metre

### Example:-

Load required = 100kg per linear metre

Options available:-

1. 50mm deep ladder will span up to a maximum of 2.396m with a deflection of 10.9mm
2. 100mm deep ladder will span up to a maximum of 3.952m with a deflection of 14.8mm
3. 125mm deep ladder will span up to a maximum of 5.321m with a deflection of 21.4mm
4. 150mm deep ladder will span up to a maximum of 6.000m with a deflection of 21.8mm

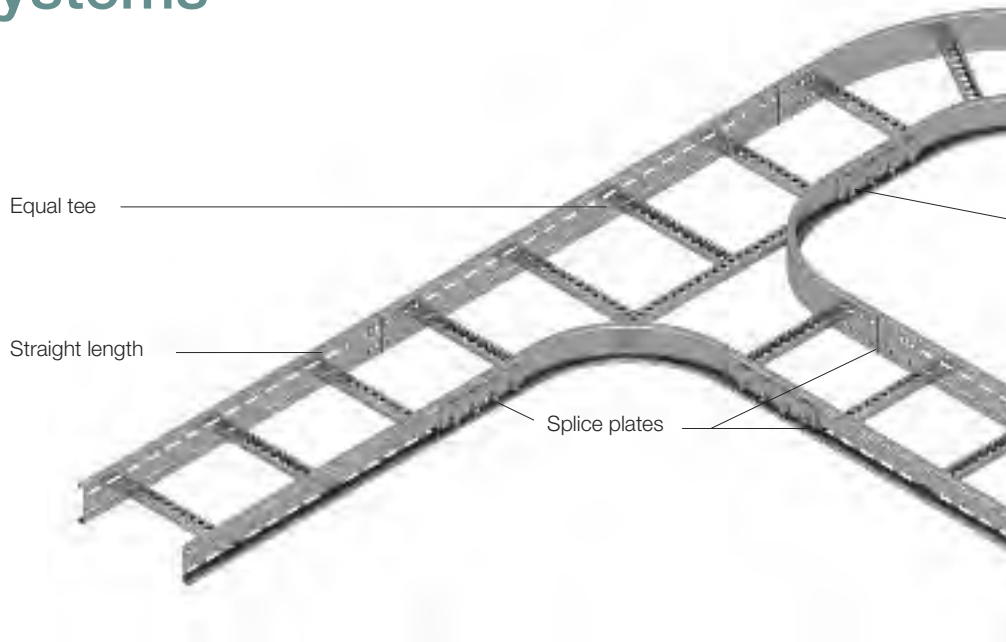


# Cable ladder systems

## System configuration and support

Metsec cable ladders are designed as a complete system with simple accessories for ease of installation. Splice plates are supplied complete with M10 cup square bolts, shake proof washers, and nuts with a high tolerance fit for optimum structural performance.

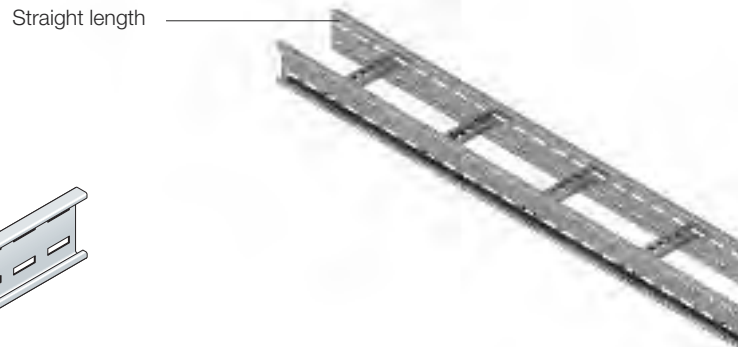
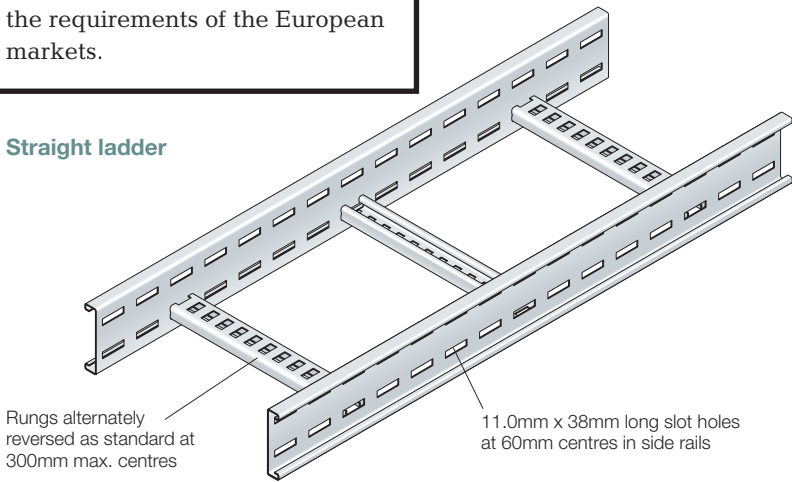
When installing Metsec cable ladders, care should be taken to ensure the support is within 600mm of a joint. Accessories (e.g. bends, tees, crossovers etc.) should have adequate support with additional supports for larger components.



## Technical construction details

Whilst rungs are alternately reversed as standard, other rung orientations can be produced to order. Additionally alternative widths are also available to meet the requirements of the European markets.

## Straight ladder



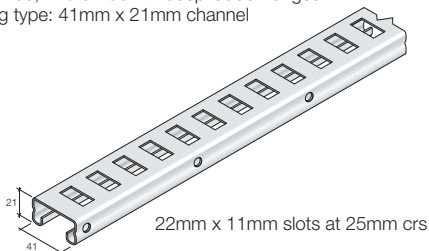
Left hand reducer \_\_\_\_\_

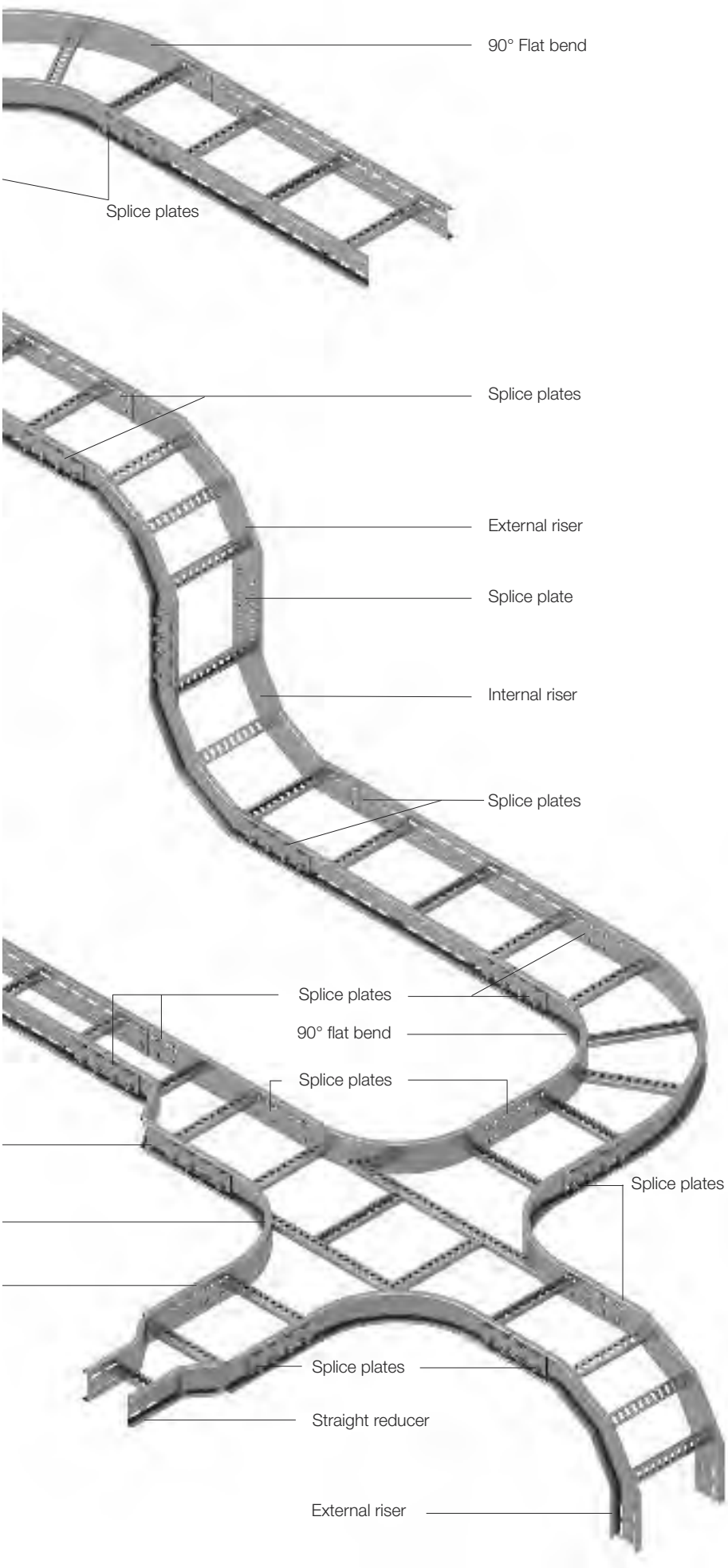
Crossover \_\_\_\_\_

Splice plate \_\_\_\_\_

## Rung types

50, 100, 125 & 150mm deep ladder ranges  
rung type: 41mm x 21mm channel





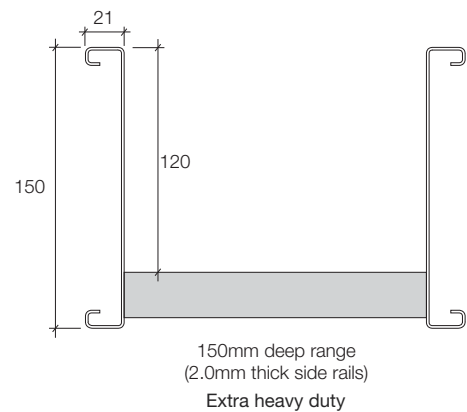
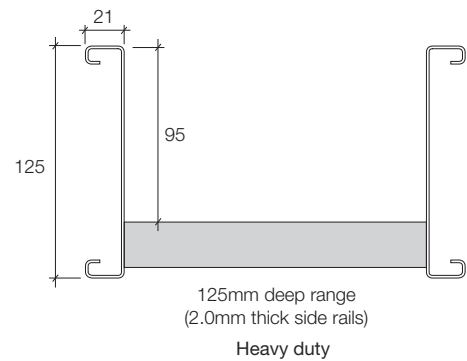
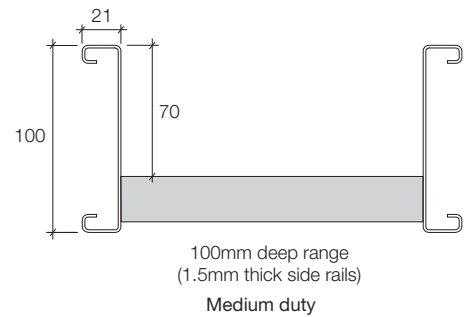
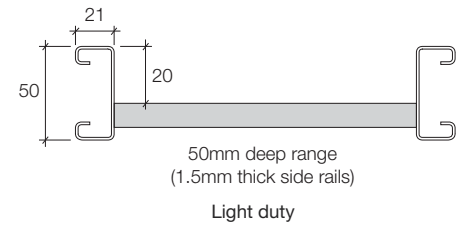
**Materials and finishes**

Materials and finishes available are mild steel hot dip galvanised after manufacture as standard and stainless steel grade 316 to order.

**Mild steel hot dip galvanised:** manufactured from steel complying with BS EN 10025-2:2004 and hot dip galvanised after manufacture to BS EN 1461:2009.

**Stainless steel:** manufactured from stainless steel grade 316L complying with BS EN 10088-2:2005 (pickling and passivating on request).

**Ladder profiles**





# Standards

Metsec Cable Ladder Systems generally conform to BS EN 61537:2007 Cable management - cable tray systems and cable ladder systems

Information relating to compliance is detailed/highlighted within the following sections of the standard:

## 6 Classification

### 6.1 According to material

6.1.1 Metsec cable ladder systems are metallic system components

### 6.2 According to resistance to flame propagation

6.2.2 Metsec cable ladder systems are non - flame propagating system components

### 6.3 According to electrical continuity characteristics

6.3.2 Metsec cable ladder systems have electrical continuity characteristics

### 6.4 According to electrical conductivity

6.4.1 Metsec cable ladder systems are electrically conductive system components

### 6.5 According to resistance against corrosion

6.5.2 Metsec cable ladder systems are made of steel with metallic finishes or stainless steel

**(Resistance to corrosion is classified according to Table 1. and follow the relevant specification in Table 8, with compliance according to Table 7.)**

**Table 1 - classification for resistance against corrosion**

Class	Reference - material and finish
0 (a)	None
1	Electroplated to a minimum thickness of 5 µm
2	Electroplated to a minimum thickness of 12 µm
3	Pre - galvanised to grade 275 to BS EN 10346 and EN 10326
4	Pre - galvanised to grade 350 to EN 10346: 2009
5	Post - galvanised to a zinc mean coating thickness (minimum) of 45 µm according to ISO 1461 for zinc thickness only
<b>6</b>	<b>Post - galvanised to a zinc mean coating thickness (minimum) of 55 µm according to ISO 1461 for zinc thickness only</b>
7	Post - galvanised to a zinc mean coating thickness (minimum) of 70 µm according to ISO 1461 for zinc thickness only
8	Post - galvanised to a zinc mean coating thickness (minimum) of 85 µm according to ISO 1461 for zinc thickness only
9A	Stainless steel manufactured to ASTM: A 240/A 240M - 95a designation S30400 or EN 10088 grade 1 - 4301 without a post treatment (b)
<b>9B</b>	<b>Stainless steel manufactured to ASTM: A 240/A 240M - 95a designation S31603 or EN 10088 grade 1 - 4404 without a post treatment (b)</b>
9C	Stainless steel manufactured to ASTM: A 240/A 240M - 95a designation S30400 or EN 10088 grade 1 - 4301 with a post treatment (b)
9D	Stainless steel manufactured to ASTM: A 240/A 240M - 95a designation S31603 or EN 10088 grade 1 - 4404 with a post treatment (b)
(a)	For materials which have no declared corrosion resistance classification
(b)	The post - treatment process is used to improve the protection against crevice crack corrosion and the contamination by other steels

**Table 7 - System component compliance and classification for resistance against corrosion**

System component Material and finishes	Classification according to	Compliance	Subclause for compliance check
Non - metallic	6.5.1	Declaration	14.2.1
<b>Reference - zinc coating as in Table 1.</b>	<b>6.5.2 Table 1 classes 1 to 8</b>	<b>Declaration or measurement</b>	<b>14.2.2</b>
Non - referenced zinc coating	6.5.2 Table 1 classes 1 to 8	By neutral salt spray test NSS	14.2.3
<b>Reference - stainless steel as in Table 1.</b>	<b>6.5.2 Table 1 Class 9A to 9D</b>	<b>Declaration</b>	<b>14.2.2</b>
Non-referenced stainless steel	Not classified	Declaration	None
Other metallic coatings	6.5.2 Table 1 Column 1 classes 1 to 8	By neutral salt spray test NSS	14.2.3
Aluminium alloys or other metals	6.5.3 Under consideration	Under consideration	14.2.4
Organic coatings	6.5.4 Under consideration	Under consideration	14.2.5

**Table 8 - Zinc coating thickness of reference materials**

Class	Minimum thickness µm	Minimum coating thickness as given in BSEN 10346:2009 µm	Mean coating thickness (minimum) to ISO 1461 µm
0 (a)	-	-	-
1	5	-	-
2	12	-	-
3	-	15	-
4	-	19	-
5	-	-	45
<b>6</b>	-	-	<b>55</b>
7	-	-	70
8	-	-	85
(a)	As declared by the manufacturer or responsible vendor		

## 6.6 According to temperature

6.6.1 Minimum temperature for the system components is given in Table 2.

6.6.2 Maximum temperature for the system components is given in Table 3.

**Table 2 - Minimum temperature classification**

Minimum transport, storage installation and application temperature °C
+5
- 5
- 15
- 20
- 40
<b>- 50</b>

**Table 3 - Maximum temperature classification**

Maximum transport, storage installation and application temperature °C
+40
<b>+60</b>
+90
+105
+120
+150

## 6.8 According to the free base area of the cable ladder length as given in Table 5.

**Table 5 - Free base area classification**

Classification	Perforation in the free base area
X	Up to 80 %
<b>Y</b>	<b>Over 80 % and up to 90 %</b>
Z	More than 90 %

Note Classification Z relates to IEC 60364 - 5 - 52 Subclause A.52.6.2 third paragraph

## 6.9 According to impact resistance

6.9.5 System component offering impact resistance up to 50 J (as verified by testing in accordance with 10.9 Test for impact resistance.)

## 7 Marking and documentation

7.1 Each system component is marked by a label. Labels used fully comply with the rubbing test. Boxed items are labelled on the packaging

## 8 Dimensions

### Key cross sectional dimensions for straight cable ladders

Part No.	External depth mm	Internal depth mm	External width mm	Internal width mm (Internal)	X-sectional area mm <sup>2</sup>
LSL050/0150#	50	31.0	192	150	4650
LSL050/0300#	50	31.0	342	300	9300
LSL050/0450#	50	31.0	492	450	13950
LSL100/0150#	100	70.0	192	150	10500
LSL100/0300#	100	70.0	342	300	21000
LSL100/0450#	100	70.0	492	450	31500
LSL100/0600#	100	70.0	642	600	42000
LSL100/0750#	100	70.0	792	750	52500
LSL100/0900#	100	70.0	942	900	63000
LSL125/0150#	125	95.0	192	150	14250
LSL125/0300#	125	95.0	342	300	28500
LSL125/0450#	125	95.0	492	450	42750
LSL125/0600#	125	95.0	642	600	57000
LSL125/0750#	125	95.0	792	750	71250
LSL125/0900#	125	95.0	942	900	85500
LSL150/0150#	150	120.0	192	150	18000
LSL150/0300#	150	120.0	342	300	36000
LSL150/0450#	150	120.0	492	450	54000
LSL150/0600#	150	120.0	642	600	72000
LSL150/0750#	150	120.0	792	750	90000
LSL150/0900#	150	120.0	942	900	108000

## Minimum internal radius of fittings

Minimal internal radius of fittings available for the accommodation of cables is 300 mm.

## 9 Construction

9.1 Surfaces of system components which are likely to come into contact with cables during installation are inspected to ensure they shall not cause damage to the cables when installed correctly.

9.2 As with all metallic system components, care should be exercised that handling is in accordance with the relative COSHH regulations and gloves should be worn.

9.3 Screwed connections have been designed to withstand the mechanical stresses occurring during installations and normal use and will not cause damage to cables when correctly inserted. Screwed connections are in general ISO metric threads fully compliant to tests in accordance with 9.3.1 and 9.3.2 of the standard. Metsec Cable Ladder Systems are usually assembled using M10 cup square bolts and hex nuts with lock washers for couplers etc tightened to a torque of 45N/m. Other connections require M10 hex bolts for clamps etc tightened to a torque of 25N/m.

## 10 Mechanical properties

Cable ladder lengths have been tested generally in accordance with the standard under 10.2 and 10.3 for verification of the loading graphs. It should be noted that independent testing has been carried out to verify the structural performance of the cable ladders at the minimum and maximum temperature classifications for test conditions under 10.2.2.

All accessories eg bends, tees etc should be directly supported by a suitable support device or devices at appropriate positions.

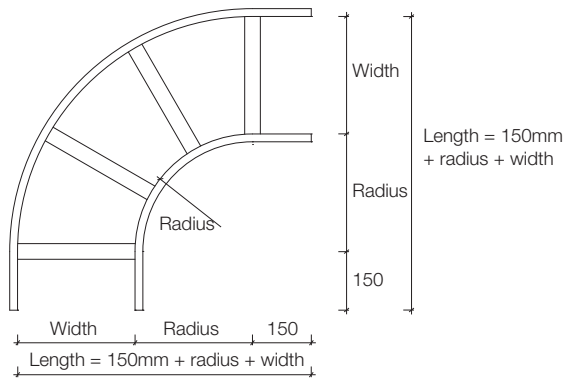


# Cable ladder systems

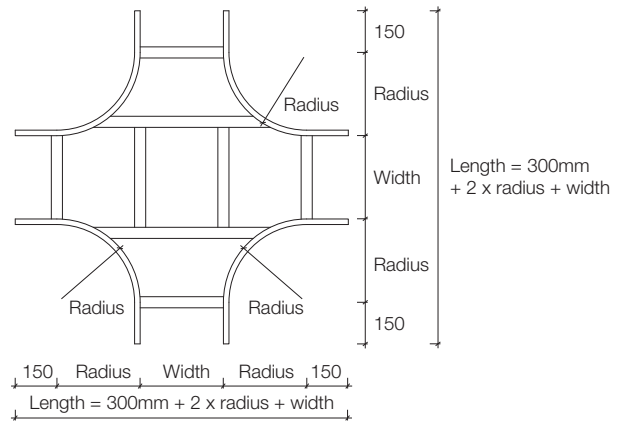
## Accessory footprint

Cable ladder – accessory foot print  
standard radius is 300mm

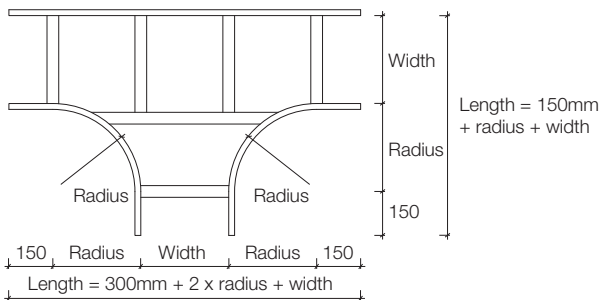
90 Deg flat bend



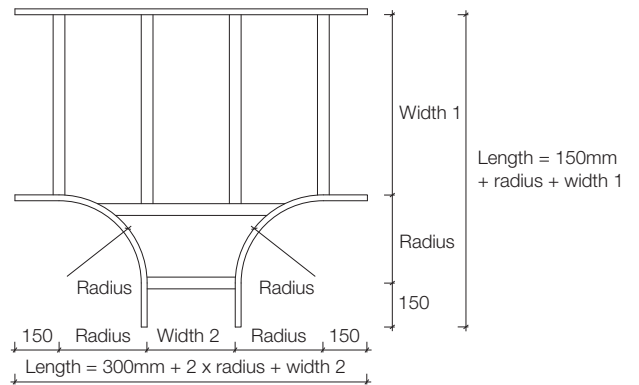
Crossover



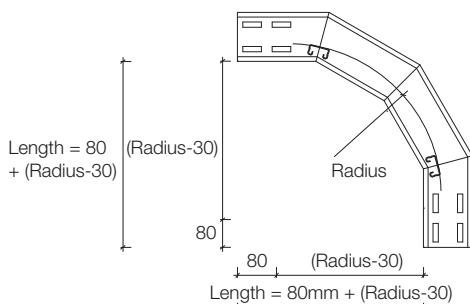
Equal tee



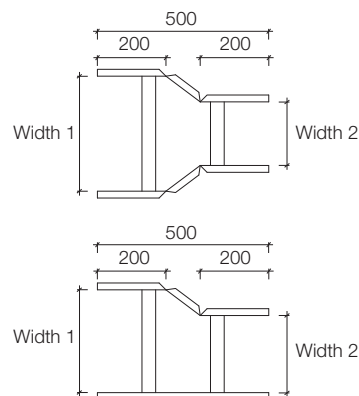
Unequal tee



90 Deg riser



Straight or right/left hand reducer



Footprints are identical for all ranges

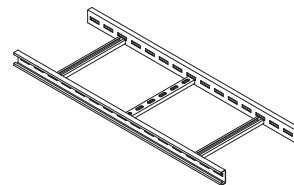


## Straight lengths

### Straight length - light duty - 50mm deep

Finish: hot dip galvanised = HDG, substitute SS within part number for stainless steel grade 316

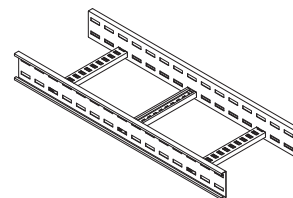
Width mm	50mm deep 3m long	50mm deep 6m long
150	LSL050/0150HDG/3	N/A
300	LSL050/0300HDG/3	N/A
450	LSL050/0450HDG/3	N/A



### Straight length - medium duty - 100mm deep

Finish: hot dip galvanised = HDG, substitute SS within part number for stainless steel grade 316

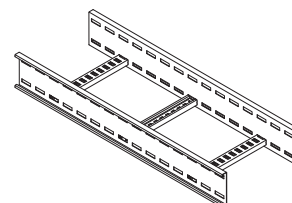
Width mm	100mm deep 3m long	100mm deep 6m long
150	LSL100/0150HDG/3	LSL100/0150HDG/6
300	LSL100/0300HDG/3	LSL100/0300HDG/6
450	LSL100/0450HDG/3	LSL100/0450HDG/6
600	LSL100/0600HDG/3	LSL100/0600HDG/6
750	LSL100/0750HDG/3	LSL100/0750HDG/6
900	LSL100/0900HDG/3	LSL100/0900HDG/6



### Straight length - heavy duty - 125mm deep

Finish: hot dip galvanised = HDG, substitute SS within part number for stainless steel grade 316

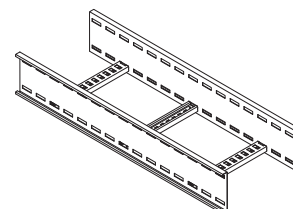
Width mm	125mm deep 3m long	125mm deep 6m long
150	LSL125/0150HDG/3	LSL125/0150HDG/6
300	LSL125/0300HDG/3	LSL125/0300HDG/6
450	LSL125/0450HDG/3	LSL125/0450HDG/6
600	LSL125/0600HDG/3	LSL125/0600HDG/6
750	LSL125/0750HDG/3	LSL125/0750HDG/6
900	LSL125/0900HDG/3	LSL125/0900HDG/6



### Straight length - extra heavy duty - 150mm deep

Finish: hot dip galvanised = HDG, substitute SS within part number for stainless steel grade 316

Width mm	150mm deep 3m long	150mm deep 6m long
150	LSL150/0150HDG/3	LSL150/0150HDG/6
300	LSL150/0300HDG/3	LSL150/0300HDG/6
450	LSL150/0450HDG/3	LSL150/0450HDG/6
600	LSL150/0600HDG/3	LSL150/0600HDG/6
750	LSL150/0750HDG/3	LSL150/0750HDG/6
900	LSL150/0900HDG/3	LSL150/0900HDG/6



# Cable ladder systems

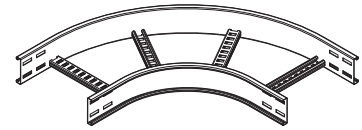
## Flat bends

### 90° Flat bend

Standard radius 300mm = R300, other radii R450, R600, R750 and R900 (made to order).

Finish: hot dip galvanised = HDG, substitute SS within part number for stainless steel grade 316

Width mm	Light duty 50mm deep	Medium duty 100mm deep	Heavy duty 125mm deep	Extra heavy duty 150mm deep
150	LFB050/0150HDG/90R300	LFB100/0150HDG/90R300	LFB125/0150HDG/90R300	LFB150/0150HDG/90R300
300	LFB050/0300HDG/90R300	LFB100/0300HDG/90R300	LFB125/0300HDG/90R300	LFB150/0300HDG/90R300
450	LFB050/0450HDG/90R300	LFB100/0450HDG/90R300	LFB125/0450HDG/90R300	LFB150/0450HDG/90R300
600	N/A	LFB100/0600HDG/90R300	LFB125/0600HDG/90R300	LFB150/0600HDG/90R300
750	N/A	LFB100/0750HDG/90R300	LFB125/0750HDG/90R300	LFB150/0750HDG/90R300
900	N/A	LFB100/0900HDG/90R300	LFB125/0900HDG/90R300	LFB150/0900HDG/90R300

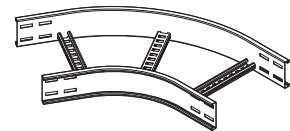


### 60° Flat bend

Standard radius 300mm = R300, other radii R450, R600, R750 and R900 (made to order).

Finish: hot dip galvanised = HDG, substitute SS within part number for stainless steel grade 316

Width mm	Light duty 50mm deep	Medium duty 100mm deep	Heavy duty 125mm deep	Extra heavy duty 150mm deep
150	LFB050/0150HDG/60R300	LFB100/0150HDG/60R300	LFB125/0150HDG/60R300	LFB150/0150HDG/60R300
300	LFB050/0300HDG/60R300	LFB100/0300HDG/60R300	LFB125/0300HDG/60R300	LFB150/0300HDG/60R300
450	LFB050/0450HDG/60R300	LFB100/0450HDG/60R300	LFB125/0450HDG/60R300	LFB150/0450HDG/60R300
600	N/A	LFB100/0600HDG/60R300	LFB125/0600HDG/60R300	LFB150/0600HDG/60R300
750	N/A	LFB100/0750HDG/60R300	LFB125/0750HDG/60R300	LFB150/0750HDG/60R300
900	N/A	LFB100/0900HDG/60R300	LFB125/0900HDG/60R300	LFB150/0900HDG/60R300

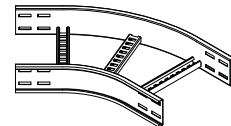


### 45° Flat bend

Standard radius 300mm = R300, other radii R450, R600, R750 and R900 (made to order).

Finish: hot dip galvanised = HDG, substitute SS within part number for stainless steel grade 316

Width mm	Light duty 50mm deep	Medium duty 100mm deep	Heavy duty 125mm deep	Extra heavy duty 150mm deep
150	LFB050/0150HDG/45R300	LFB100/0150HDG/45R300	LFB125/0150HDG/45R300	LFB150/0150HDG/45R300
300	LFB050/0300HDG/45R300	LFB100/0300HDG/45R300	LFB125/0300HDG/45R300	LFB150/0300HDG/45R300
450	LFB050/0450HDG/45R300	LFB100/0450HDG/45R300	LFB125/0450HDG/45R300	LFB150/0450HDG/45R300
600	N/A	LFB100/0600HDG/45R300	LFB125/0600HDG/45R300	LFB150/0600HDG/45R300
750	N/A	LFB100/0750HDG/45R300	LFB125/0750HDG/45R300	LFB150/0750HDG/45R300
900	N/A	LFB100/0900HDG/45R300	LFB125/0900HDG/45R300	LFB150/0900HDG/45R300

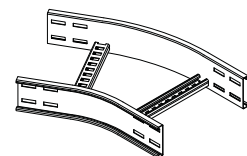


### 30° Flat bend

Standard radius 300mm = R300, other radii R450, R600, R750 and R900 (made to order).

Finish: hot dip galvanised = HDG, substitute SS within part number for stainless steel grade 316

Width mm	Light duty 50mm deep	Medium duty 100mm deep	Heavy duty 125mm deep	Extra heavy duty 150mm deep
150	LFB050/0150HDG/30R300	LFB100/0150HDG/30R300	LFB125/0150HDG/30R300	LFB150/0150HDG/30R300
300	LFB050/0300HDG/30R300	LFB100/0300HDG/30R300	LFB125/0300HDG/30R300	LFB150/0300HDG/30R300
450	LFB050/0450HDG/30R300	LFB100/0450HDG/30R300	LFB125/0450HDG/30R300	LFB150/0450HDG/30R300
600	N/A	LFB100/0600HDG/30R300	LFB125/0600HDG/30R300	LFB150/0600HDG/30R300
750	N/A	LFB100/0750HDG/30R300	LFB125/0750HDG/30R300	LFB150/0750HDG/30R300
900	N/A	LFB100/0900HDG/30R300	LFB125/0900HDG/30R300	LFB150/0900HDG/30R300

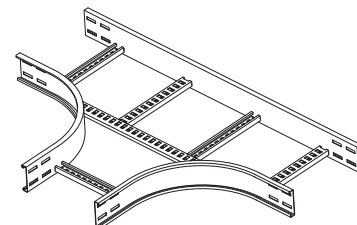


## Equal tee

Standard radius 300mm = R300, other radii R450, R600, R750 and R900 (made to order).

Finish: hot dip galvanised = HDG, substitute SS within part number for stainless steel grade 316

Width mm	Light duty 50mm deep	Medium duty 100mm deep	Heavy duty 125mm deep	Extra heavy duty 150mm deep
150	LET050/0150HDGR300	LET100/0150HDGR300	LET125/0150HDGR300	LET150/0150HDGR300
300	LET050/0300HDGR300	LET100/0300HDGR300	LET125/0300HDGR300	LET150/0300HDGR300
450	LET050/0450HDGR300	LET100/0450HDGR300	LET125/0450HDGR300	LET150/0450HDGR300
600	N/A	LET100/0600HDGR300	LET125/0600HDGR300	LET150/0600HDGR300
750	N/A	LET100/0750HDGR300	LET125/0750HDGR300	LET150/0750HDGR300
900	N/A	LET100/0900HDGR300	LET125/0900HDGR300	LET150/0900HDGR300



## Unequal tee (made to order)

Standard radius 300mm = R300, other radii R450, R600, R750 and R900.

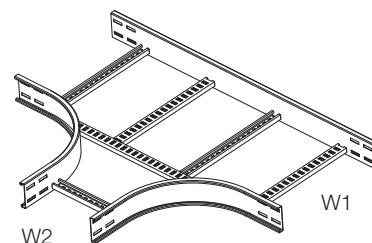
Finish: Hot Dip Galvanised = HDG, substitute SS within part number for stainless steel grade 316

How to generate the part number - LUT (depth)/W1/W2(finish) (radius)

Example - LUT100/300/150/HDGR300

Table below shows a complete list of W1 and W2 combinations.

W1	W2	W1	W2	W1	W2	W1	W2
150	300	300	750	600	300	750	900
150	450	300	900	600	450	900	150
150	600	450	150	600	750	900	300
150	750	450	300	600	900	900	450
150	900	450	600	750	150	900	600
300	150	450	750	750	300	900	750
300	450	450	900	750	450		
300	600	600	150	750	600		

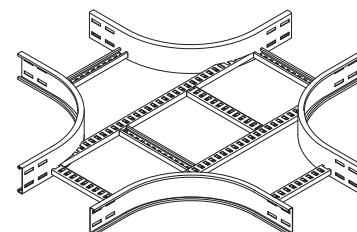


## Crossover

Standard radius 300mm = R300, other radii R450, R600, R750 and R900 (made to order).

Finish: hot dip galvanised = HDG, substitute SS within part number for stainless steel grade 316

Width mm	Light duty 50mm deep	Medium duty 100mm deep	Heavy duty 125mm deep	Extra heavy duty 150mm deep
150	LCO050/0150HDGR300	LCO100/0150HDGR300	LCO125/0150HDGR300	LCO150/0150HDGR300
300	LCO050/0300HDGR300	LCO100/0300HDGR300	LCO125/0300HDGR300	LCO150/0300HDGR300
450	LCO050/0450HDGR300	LCO100/0450HDGR300	LCO125/0450HDGR300	LCO150/0450HDGR300
600	N/A	LCO100/0600HDGR300	LCO125/0600HDGR300	LCO150/0600HDGR300
750	N/A	LCO100/0750HDGR300	LCO125/0750HDGR300	LCO150/0750HDGR300
900	N/A	LCO100/0900HDGR300	LCO125/0900HDGR300	LCO150/0900HDGR300

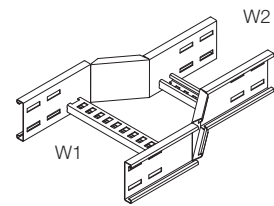


# Cable ladder systems

## Straight reducer

Finish: hot dip galvanised = HDG, substitute SS within part number for stainless steel grade 316

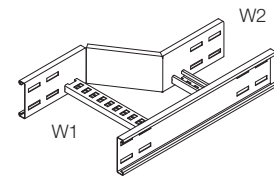
Width mm	Light duty 50mm deep		Medium duty 100mm deep	Heavy duty 125mm deep	Extra heavy duty 150mm deep
	W1	W2			
300	150		LSR100/0300/0150HDG	LSR125/0300/0150HDG	LSR150/0300/0150HDG
450	150		LSR050/0450/0150HDG	LSR100/0450/0150HDG	LSR150/0450/0150HDG
600	150		LSR050/0600/0150HDG	LSR100/0600/0150HDG	LSR150/0600/0150HDG
750	150	N/A	LSR100/0750/0150HDG	LSR125/0750/0150HDG	LSR150/0750/0150HDG
900	150	N/A	LSR100/0900/0150HDG	LSR125/0900/0150HDG	LSR150/0900/0150HDG
450	300		LSR050/0450/0300HDG	LSR100/0450/0300HDG	LSR150/0450/0300HDG
600	300		LSR050/0600/0300HDG	LSR100/0600/0300HDG	LSR150/0600/0300HDG
750	300	N/A	LSR100/0750/0300HDG	LSR125/0750/0300HDG	LSR150/0750/0300HDG
900	300	N/A	LSR100/0900/0300HDG	LSR125/0900/0300HDG	LSR150/0900/0300HDG
600	450		LSR050/0600/0450HDG	LSR100/0600/0450HDG	LSR150/0600/0450HDG
750	450	N/A	LSR100/0750/0450HDG	LSR125/0750/0450HDG	LSR150/0750/0450HDG
900	450	N/A	LSR100/0900/0450HDG	LSR125/0900/0450HDG	LSR150/0900/0450HDG
750	600	N/A	LSR100/0750/0600HDG	LSR125/0750/0600HDG	LSR150/0750/0600HDG
900	600	N/A	LSR100/0900/0600HDG	LSR125/0900/0600HDG	LSR150/0900/0600HDG
900	750	N/A	LSR100/0900/0750HDG	LSR125/0900/0750HDG	LSR150/0900/0750HDG



## Left hand reducer

Finish: hot dip galvanised = HDG, substitute SS within part number for stainless steel grade 316

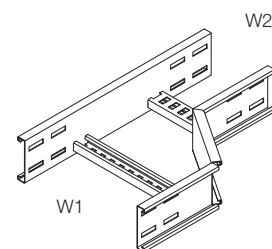
Width mm	Light duty 50mm deep		Medium duty 100mm deep	Heavy duty 125mm deep	Extra heavy duty 150mm deep
	W1	W2			
300	150		LLR100/0300/0150HDG	LLR125/0300/0150HDG	LLR150/0300/0150HDG
450	150		LLR050/0450/0150HDG	LLR100/0450/0150HDG	LLR150/0450/0150HDG
600	150		LLR050/0600/0150HDG	LLR100/0600/0150HDG	LLR150/0600/0150HDG
750	150	N/A	LLR100/0750/0150HDG	LLR125/0750/0150HDG	LLR150/0750/0150HDG
900	150	N/A	LLR100/0900/0150HDG	LLR125/0900/0150HDG	LLR150/0900/0150HDG
450	300		LLR050/0450/0300HDG	LLR100/0450/0300HDG	LLR150/0450/0300HDG
600	300		LLR050/0600/0300HDG	LLR100/0600/0300HDG	LLR150/0600/0300HDG
750	300	N/A	LLR100/0750/0300HDG	LLR125/0750/0300HDG	LLR150/0750/0300HDG
900	300	N/A	LLR100/0900/0300HDG	LLR125/0900/0300HDG	LLR150/0900/0300HDG
600	450		LLR050/0600/0450HDG	LLR100/0600/0450HDG	LLR150/0600/0450HDG
750	450	N/A	LLR100/0750/0450HDG	LLR125/0750/0450HDG	LLR150/0750/0450HDG
900	450	N/A	LLR100/0900/0450HDG	LLR125/0900/0450HDG	LLR150/0900/0450HDG
750	600	N/A	LLR100/0750/0600HDG	LLR125/0750/0600HDG	LLR150/0750/0600HDG
900	600	N/A	LLR100/0900/0600HDG	LLR125/0900/0600HDG	LLR150/0900/0600HDG
900	750	N/A	LLR100/0900/0750HDG	LLR125/0900/0750HDG	LLR150/0900/0750HDG



### Right hand reducer

Finish: hot dip galvanised = HDG, substitute SS within part number for stainless steel grade 316

Width mm	Light duty 50mm deep		Medium duty 100mm deep	Heavy duty 125mm deep	Extra heavy duty 150mm deep
	W1	W2			
300	150	LRR050/0300/0150HDG	LRR100/0300/0150HDG	LRR125/0300/0150HDG	LRR150/0300/0150HDG
450	150	LRR050/0450/0150HDG	LRR100/0450/0150HDG	LRR125/0450/0150HDG	LRR150/0450/0150HDG
600	150	LRR050/0600/0150HDG	LRR100/0600/0150HDG	LRR125/0600/0150HDG	LRR150/0600/0150HDG
750	150	N/A	LRR100/0750/0150HDG	LRR125/0750/0150HDG	LRR150/0750/0150HDG
900	150	N/A	LRR100/0900/0150HDG	LRR125/0900/0150HDG	LRR150/0900/0150HDG
450	300	LRR050/0450/0300HDG	LRR100/0450/0300HDG	LRR125/0450/0300HDG	LRR150/0450/0300HDG
600	300	LRR050/0600/0300HDG	LRR100/0600/0300HDG	LRR125/0600/0300HDG	LRR150/0600/0300HDG
750	300	N/A	LRR100/0750/0300HDG	LRR125/0750/0300HDG	LRR150/0750/0300HDG
900	300	N/A	LRR100/0900/0300HDG	LRR125/0900/0300HDG	LRR150/0900/0300HDG
600	450	LRR050/0600/0450HDG	LRR100/0600/0450HDG	LRR125/0600/0450HDG	LRR150/0600/0450HDG
750	450	N/A	LRR100/0750/0450HDG	LRR125/0750/0450HDG	LRR150/0750/0450HDG
900	450	N/A	LRR100/0900/0450HDG	LRR125/0900/0450HDG	LRR150/0900/0450HDG
750	600	N/A	LRR100/0750/0600HDG	LRR125/0750/0600HDG	LRR150/0750/0600HDG
900	600	N/A	LRR100/0900/0600HDG	LRR125/0900/0600HDG	LRR150/0900/0600HDG
900	750	N/A	LRR100/0900/0750HDG	LRR125/0900/0750HDG	LRR150/0900/0750HDG

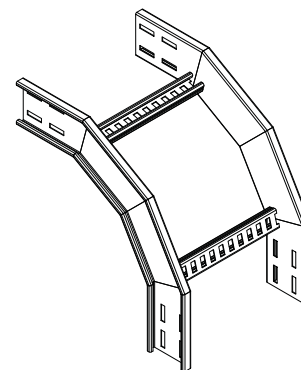


### 90° External riser

Standard radius 300mm = R300, other radii R450, R600, R750 and R900 (made to order).

Finish: hot dip galvanised = HDG, substitute SS within part number for stainless steel grade 316

Width mm	Light duty 50mm deep		Medium duty 100mm deep	Heavy duty 125mm deep	Extra heavy duty 150mm deep
150	LER050/0150HDG/90R300	LER100/0150HDG/90R300	LER125/0150HDG/90R300	LER150/0150HDG/90R300	
300	LER050/0300HDG/90R300	LER100/0300HDG/90R300	LER125/0300HDG/90R300	LER150/0300HDG/90R300	
450	LER050/0450HDG/90R300	LER100/0450HDG/90R300	LER125/0450HDG/90R300	LER150/0450HDG/90R300	
600	N/A	LER100/0600HDG/90R300	LER125/0600HDG/90R300	LER150/0600HDG/90R300	
750	N/A	LER100/0750HDG/90R300	LER125/0750HDG/90R300	LER150/0750HDG/90R300	
900	N/A	LER100/0900HDG/90R300	LER125/0900HDG/90R300	LER150/0900HDG/90R300	

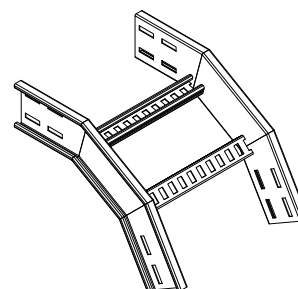


### 60° External riser

Standard radius 300mm = R300, other radii R450, R600, R750 and R900 (made to order).

Finish: hot dip galvanised = HDG, substitute SS within part number for stainless steel grade 316

Width mm	Light duty 50mm deep		Medium duty 100mm deep	Heavy duty 125mm deep	Extra heavy duty 150mm deep
150	LER050/0150HDG/60R300	LER100/0150HDG/60R300	LER125/0150HDG/60R300	LER150/0150HDG/60R300	
300	LER050/0300HDG/60R300	LER100/0300HDG/60R300	LER125/0300HDG/60R300	LER150/0300HDG/60R300	
450	LER050/0450HDG/60R300	LER100/0450HDG/60R300	LER125/0450HDG/60R300	LER150/0450HDG/60R300	
600	N/A	LER100/0600HDG/60R300	LER125/0600HDG/60R300	LER150/0600HDG/60R300	
750	N/A	LER100/0750HDG/60R300	LER125/0750HDG/60R300	LER150/0750HDG/60R300	
900	N/A	LER100/0900HDG/60R300	LER125/0900HDG/60R300	LER150/0900HDG/60R300	





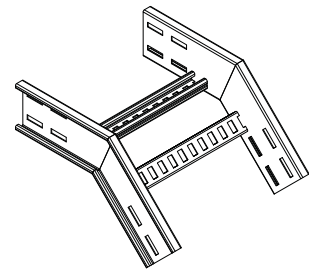
# Cable ladder systems

## 45° External riser

Standard radius 300mm = R300, other radii R450, R600, R750 and R900 (made to order).

Finish: hot dip galvanised = HDG, substitute SS within part number for stainless steel grade 316

Width mm	Light duty 50mm deep	Medium duty 100mm deep	Heavy duty 125mm deep	Extra heavy duty 150mm deep
150	LER050/0150HDG/45R300	LER100/0150HDG/45R300	LER125/0150HDG/45R300	LER150/0150HDG/45R300
300	LER050/0300HDG/45R300	LER100/0300HDG/45R300	LER125/0300HDG/45R300	LER150/0300HDG/45R300
450	LER050/0450HDG/45R300	LER100/0450HDG/45R300	LER125/0450HDG/45R300	LER150/0450HDG/45R300
600	N/A	LER100/0600HDG/45R300	LER125/0600HDG/45R300	LER150/0600HDG/45R300
750	N/A	LER100/0750HDG/45R300	LER125/0750HDG/45R300	LER150/0750HDG/45R300
900	N/A	LER100/0900HDG/45R300	LER125/0900HDG/45R300	LER150/0900HDG/45R300

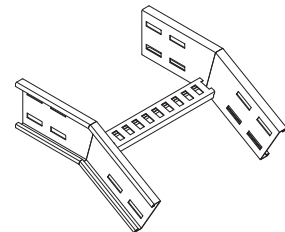


## 30° External riser

Standard radius 300mm = R300, other radii R450, R600, R750 and R900 (made to order).

Finish: hot dip galvanised = HDG, substitute SS within part number for stainless steel grade 316

Width mm	Light duty 50mm deep	Medium duty 100mm deep	Heavy duty 125mm deep	Extra heavy duty 150mm deep
150	LER050/0150HDG/30R300	LER100/0150HDG/30R300	LER125/0150HDG/30R300	LER150/0150HDG/30R300
300	LER050/0300HDG/30R300	LER100/0300HDG/30R300	LER125/0300HDG/30R300	LER150/0300HDG/30R300
450	LER050/0450HDG/30R300	LER100/0450HDG/30R300	LER125/0450HDG/30R300	LER150/0450HDG/30R300
600	N/A	LER100/0600HDG/30R300	LER125/0600HDG/30R300	LER150/0600HDG/30R300
750	N/A	LER100/0750HDG/30R300	LER125/0750HDG/30R300	LER150/0750HDG/30R300
900	N/A	LER100/0900HDG/30R300	LER125/0900HDG/30R300	LER150/0900HDG/30R300

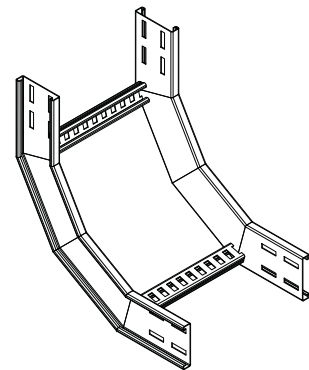


## 90° Internal riser

Standard radius 300mm = R300, other radii R450, R600, R750 and R900 (made to order).

Finish: hot dip galvanised = HDG, substitute SS within part number for stainless steel grade 316

Width mm	Light duty 50mm deep	Medium duty 100mm deep	Heavy duty 125mm deep	Extra heavy duty 150mm deep
150	LIR050/0150HDG/90R300	LIR100/0150HDG/90R300	LIR125/0150HDG/90R300	LIR150/0150HDG/90R300
300	LIR050/0300HDG/90R300	LIR100/0300HDG/90R300	LIR125/0300HDG/90R300	LIR150/0300HDG/90R300
450	LIR050/0450HDG/90R300	LIR100/0450HDG/90R300	LIR125/0450HDG/90R300	LIR150/0450HDG/90R300
600	N/A	LIR100/0600HDG/90R300	LIR125/0600HDG/90R300	LIR150/0600HDG/90R300
750	N/A	LIR100/0750HDG/90R300	LIR125/0750HDG/90R300	LIR150/0750HDG/90R300
900	N/A	LIR100/0900HDG/90R300	LIR125/0900HDG/90R300	LIR150/0900HDG/90R300

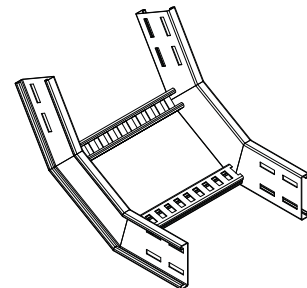


## 60° Internal riser

Standard radius 300mm = R300, other radii R450, R600, R750 and R900 (made to order).

Finish: hot dip galvanised = HDG, substitute SS within part number for stainless steel grade 316

Width mm	Light duty 50mm deep	Medium duty 100mm deep	Heavy duty 125mm deep	Extra heavy duty 150mm deep
150	LIR050/0150HDG/60R300	LIR100/0150HDG/60R300	LIR125/0150HDG/60R300	LIR150/0150HDG/60R300
300	LIR050/0300HDG/60R300	LIR100/0300HDG/60R300	LIR125/0300HDG/60R300	LIR150/0300HDG/60R300
450	LIR050/0450HDG/60R300	LIR100/0450HDG/60R300	LIR125/0450HDG/60R300	LIR150/0450HDG/60R300
600	N/A	LIR100/0600HDG/60R300	LIR125/0600HDG/60R300	LIR150/0600HDG/60R300
750	N/A	LIR100/0750HDG/60R300	LIR125/0750HDG/60R300	LIR150/0750HDG/60R300
900	N/A	LIR100/0900HDG/60R300	LIR125/0900HDG/60R300	LIR150/0900HDG/60R300

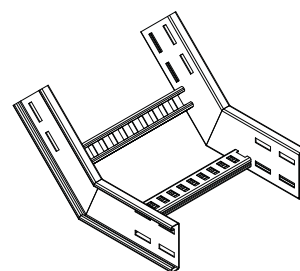


### 45° Internal riser

Standard radius 300mm = R300, other radii R450, R600, R750 and R900 (made to order).

Finish: hot dip galvanised = HDG, substitute SS within part number for stainless steel grade 316

Width mm	Light duty 50mm deep	Medium duty 100mm deep	Heavy duty 125mm deep	Extra heavy duty 150mm deep
150	LIR050/0150HDG/45R300	LIR100/0150HDG/45R300	LIR125/0150HDG/45R300	LIR150/0150HDG/45R300
300	LIR050/0300HDG/45R300	LIR100/0300HDG/45R300	LIR125/0300HDG/45R300	LIR150/0300HDG/45R300
450	LIR050/0450HDG/45R300	LIR100/0450HDG/45R300	LIR125/0450HDG/45R300	LIR150/0450HDG/45R300
600	N/A	LIR100/0600HDG/45R300	LIR125/0600HDG/45R300	LIR150/0600HDG/45R300
750	N/A	LIR100/0750HDG/45R300	LIR125/0750HDG/45R300	LIR150/0750HDG/45R300
900	N/A	LIR100/0900HDG/45R300	LIR125/0900HDG/45R300	LIR150/0900HDG/45R300

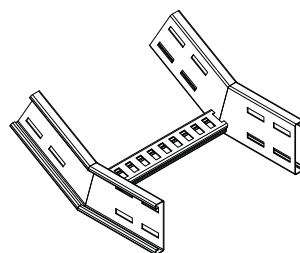


### 30° Internal riser

Standard radius 300mm = R300, other radii R450, R600, R750 and R900 (made to order).

Finish: hot dip galvanised = HDG, substitute SS within part number for stainless steel grade 316

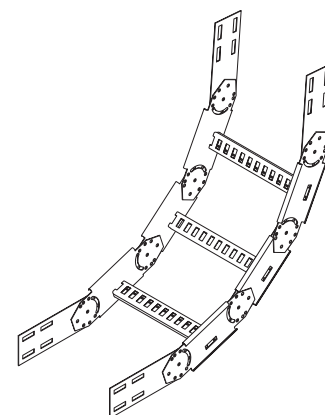
Width mm	Light duty 50mm deep	Medium duty 100mm deep	Heavy duty 125mm deep	Extra heavy duty 150mm deep
150	LIR050/0150HDG/30R300	LIR100/0150HDG/30R300	LIR125/0150HDG/30R300	LIR150/0150HDG/30R300
300	LIR050/0300HDG/30R300	LIR100/0300HDG/30R300	LIR125/0300HDG/30R300	LIR150/0300HDG/30R300
450	LIR050/0450HDG/30R300	LIR100/0450HDG/30R300	LIR125/0450HDG/30R300	LIR150/0450HDG/30R300
600	N/A	LIR100/0600HDG/30R300	LIR125/0600HDG/30R300	LIR150/0600HDG/30R300
750	N/A	LIR100/0750HDG/30R300	LIR125/0750HDG/30R300	LIR150/0750HDG/30R300
900	N/A	LIR100/0900HDG/30R300	LIR125/0900HDG/30R300	LIR150/0900HDG/30R300



### Articulated riser

Finish: hot dip galvanised = HDG, substitute SS within part number for stainless steel grade 316

Width mm	Light duty 50mm deep	Medium duty 100mm deep	Heavy duty 125mm deep	Extra heavy duty 150mm deep
150	N/A	L/AR100/0150HDG	L/AR125/0150HDG	L/AR150/0150HDG
300	N/A	L/AR100/0300HDG	L/AR125/0300HDG	L/AR150/0300HDG
450	N/A	L/AR100/0450HDG	L/AR125/0450HDG	L/AR150/0450HDG
600	N/A	L/AR100/0600HDG	L/AR125/0600HDG	L/AR150/0600HDG
750	N/A	L/AR100/0750HDG	L/AR125/0750HDG	L/AR150/0750HDG
900	N/A	L/AR100/0900HDG	L/AR125/0900HDG	L/AR150/0900HDG



# Cable ladder systems

## Cover - straight length - 1.5m long (and fixing clamps)

Finish: hot dip galvanised = **HDG**, substitute **SS** within part number for stainless steel grade 316

Standard closed covers = **C**, ventilated cover = **CV**

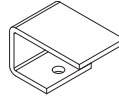
Includes 4 fixing clamps and fasteners, 2 covers required for 3m ladder, 4 covers for 6m ladder

Width mm	
150	LSLC/0150HDG/1.5
300	LSLC/0300HDG/1.5
450	LSLC/0450HDG/1.5
600	LSLC/0600HDG/1.5
750	LSLC/0750HDG/1.5
900	LSLC/0900HDG/1.5

Extra fixing clamps  
Pack of 10 (includes fasteners)

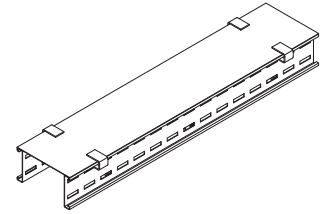
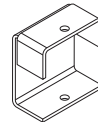
Standard cover clip

L/CCC



Ventilated cover clip

L/CCV



## Cover - 90° flat bend

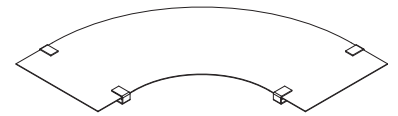
Standard radius 300mm = **R300**, other radii **R450**, **R600**, **R750** and **R900** (made to order).

Finish: hot dip galvanised = **HDG**, substitute **SS** within part number for stainless steel grade 316

Standard closed covers = **C**, ventilated cover = **CV**

Includes fixing clamps and fasteners

Width mm	
150	LFBC/0150HDG/90R300
300	LFBC/0300HDG/90R300
450	LFBC/0450HDG/90R300
600	LFBC/0600HDG/90R300
750	LFBC/0750HDG/90R300
900	LFBC/0900HDG/90R300



## Cover - 60° flat bend

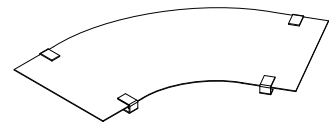
Standard radius 300mm = **R300**, other radii **R450**, **R600**, **R750** and **R900** (made to order).

Finish: hot dip galvanised = **HDG**, substitute **SS** within part number for stainless steel grade 316

Standard closed covers = **C**, ventilated cover = **CV**

Includes fixing clamps and fasteners

Width mm	
150	LFBC/0150HDG/60R300
300	LFBC/0300HDG/60R300
450	LFBC/0450HDG/60R300
600	LFBC/0600HDG/60R300
750	LFBC/0750HDG/60R300
900	LFBC/0900HDG/60R300



## Cover - 45° flat bend

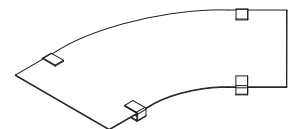
Standard radius 300mm = **R300**, other radii **R450**, **R600**, **R750** and **R900** (made to order).

Finish: hot dip galvanised = **HDG**, substitute **SS** within part number for stainless steel grade 316

Standard closed covers = **C**, ventilated cover = **CV**

Includes fixing clamps and fasteners

Width mm	
150	LFBC/0150HDG/45R300
300	LFBC/0300HDG/45R300
450	LFBC/0450HDG/45R300
600	LFBC/0600HDG/45R300
750	LFBC/0750HDG/45R300
900	LFBC/0900HDG/45R300



### Cover - 30° flat bend

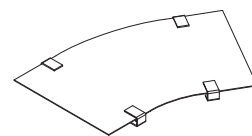
Standard radius 300mm = R300, other radii R450, R600, R750 and R900 (made to order).

Finish: hot dip galvanised = HDG, substitute SS within part number for stainless steel grade 316

Standard closed covers = C, ventilated cover = CV

Includes fixing clamps and fasteners

Width mm	
150	LFB/C/0150HDG/30R300
300	LFB/C/0300HDG/30R300
450	LFB/C/0450HDG/30R300
600	LFB/C/0600HDG/30R300
750	LFB/C/0750HDG/30R300
900	LFB/C/0900HDG/30R300



### Cover - equal tee

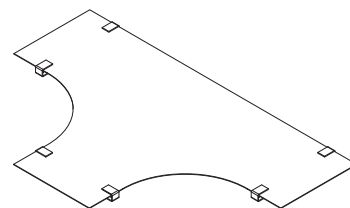
Standard radius 300mm = R300, other radii R450, R600, R750 and R900 (made to order).

Finish: hot dip galvanised = HDG, substitute SS within part number for stainless steel grade 316

Standard closed covers = C, ventilated cover = CV

Includes fixing clamps and fasteners

Width mm	
150	LET/C/0150HDGR300
300	LET/C/0300HDGR300
450	LET/C/0450HDGR300
600	LET/C/0600HDGR300
750	LET/C/0750HDGR300
900	LET/C/0900HDGR300



### Cover - unequal tee (made to order)

Standard radius 300mm = R300, other radii R450, R600, R750 and R900.

Finish: hot dip galvanised = HDG, substitute SS within part number for stainless steel grade 316

Standard closed covers = C, ventilated cover = CV

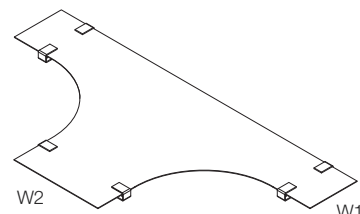
Includes fixing clamps and fasteners

How to generate the part number - LUT (cover type)/W1/W2(finish) (radius)

Example - LUT/C/300/150/HDGR300

Table below shows a complete list of W1 and W2 combinations.

W1	W2	W1	W2	W1	W2	W1	W2
150	300	300	750	600	300	750	900
150	450	300	900	600	450	900	150
150	600	450	150	600	750	900	300
150	750	450	300	600	900	900	450
150	900	450	600	750	150	900	600
300	150	450	750	750	300	900	750
300	450	450	900	750	450		
300	600	600	150	750	600		



### Cover - crossover

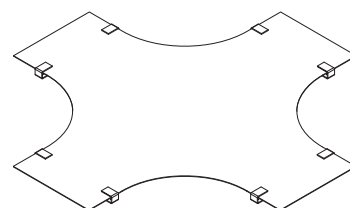
Standard radius 300mm = R300, other radii R450, R600, R750 and R900 (made to order).

Finish: hot dip galvanised = HDG, substitute SS within part number for stainless steel grade 316

Standard closed covers = C, ventilated cover = CV

Includes fixing clamps and fasteners

Width mm	
150	LCOC/0150HDGR300
300	LCOC/0300HDGR300
450	LCOC/0450HDGR300
600	LCOC/0600HDGR300
750	LCOC/0750HDGR300
900	LCOC/0900HDGR300



# Cable ladder systems

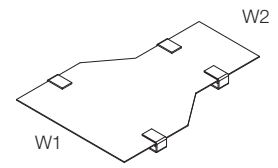
## Cover - straight reducer

Finish: hot dip galvanised = HDG, substitute SS within part number for stainless steel grade 316

Standard closed covers = C, ventilated cover = CV

Includes fixing clamps and fasteners

Width mm		
W1	W2	
300	150	LSRC/0300/0150HDG
450	150	LSRC/0450/0150HDG
600	150	LSRC/0600/0150HDG
750	150	LSRC/0750/0150HDG
900	150	LSRC/0900/0150HDG
450	300	LSRC/0450/0300HDG
600	300	LSRC/0600/0300HDG
750	300	LSRC/0750/0300HDG
900	300	LSRC/0900/0300HDG
600	450	LSRC/0600/0450HDG
750	450	LSRC/0750/0450HDG
900	450	LSRC/0900/0450HDG
750	600	LSRC/0750/0600HDG
900	600	LSRC/0900/0600HDG
900	750	LSRC/0900/0750HDG



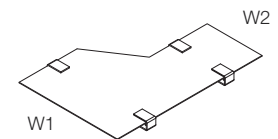
## Cover - left hand reducer

Finish: hot dip galvanised = HDG, substitute SS within part number for stainless steel grade 316

Standard closed covers = C, ventilated cover = CV

Includes fixing clamps and fasteners

Width mm		
W1	W2	
300	150	LLRC/0300/0150HDG
450	150	LLRC/0450/0150HDG
600	150	LLRC/0600/0150HDG
750	150	LLRC/0750/0150HDG
900	150	LLRC/0900/0150HDG
450	300	LLRC/0450/0300HDG
600	300	LLRC/0600/0300HDG
750	300	LLRC/0750/0300HDG
900	300	LLRC/0900/0300HDG
600	450	LLRC/0600/0450HDG
750	450	LLRC/0750/0450HDG
900	450	LLRC/0900/0450HDG
750	600	LLRC/0750/0600HDG
900	600	LLRC/0900/0600HDG
900	750	LLRC/0900/0750HDG



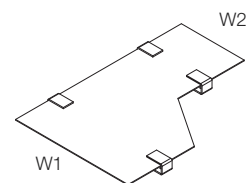


### Cover - right hand reducer

Finish: hot dip galvanised = HDG, substitute SS within part number for stainless steel grade 316

Standard closed covers = C, ventilated cover = CV

Includes fixing clamps and fasteners



Width mm		
W1	W2	
300	150	LRRC/0300/0150HDG
450	150	LRRC/0450/0150HDG
600	150	LRRC/0600/0150HDG
750	150	LRRC/0750/0150HDG
900	150	LRRC/0900/0150HDG
450	300	LRRC/0450/0300HDG
600	300	LRRC/0600/0300HDG
750	300	LRRC/0750/0300HDG
900	300	LRRC/0900/0300HDG
600	450	LRRC/0600/0450HDG
750	450	LRRC/0750/0450HDG
900	450	LRRC/0900/0450HDG
750	600	LRRC/0750/0600HDG
900	600	LRRC/0900/0600HDG
900	750	LRRC/0900/0750HDG

### Cover - 90° external riser

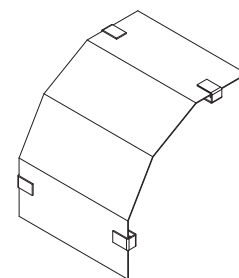
Standard radius 300mm = R300, other radii R450, R600, R750 and R900 (Made to order)

Finish: hot dip galvanised = HDG, substitute SS within part number for stainless steel grade 316

Standard closed covers = C, ventilated cover = CV

Includes fixing clamps and fasteners

Width mm	Light duty 50mm deep	Medium duty 100mm deep	Heavy duty 125mm deep	Extra heavy duty 150mm deep
150	LERC050/0150HDG/90R300	LERC100/0150HDG/90R300	LERC125/0150HDG/90R300	LERC150/0150HDG/90R300
300	LERC050/0300HDG/90R300	LERC100/0300HDG/90R300	LERC125/0300HDG/90R300	LERC150/0300HDG/90R300
450	LERC050/0450HDG/90R300	LERC100/0450HDG/90R300	LERC125/0450HDG/90R300	LERC150/0450HDG/90R300
600	N/A	LERC100/0600HDG/90R300	LERC125/0600HDG/90R300	LERC150/0600HDG/90R300
750	N/A	LERC100/0750HDG/90R300	LERC125/0750HDG/90R300	LERC150/0750HDG/90R300
900	N/A	LERC100/0900HDG/90R300	LERC125/0900HDG/90R300	LERC150/0900HDG/90R300



### Cover - 60° external riser

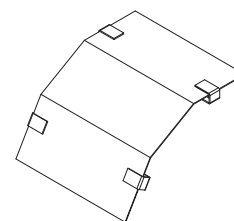
Standard radius 300mm = R300, other radii R450, R600, R750 and R900 (Made to order)

Finish: hot dip galvanised = HDG, substitute SS within part number for stainless steel grade 316

Standard closed covers = C, ventilated cover = CV

Includes fixing clamps and fasteners

Width mm	Light duty 50mm deep	Medium duty 100mm deep	Heavy duty 125mm deep	Extra heavy duty 150mm deep
150	LERC050/0150HDG/60R300	LERC100/0150HDG/60R300	LERC125/0150HDG/60R300	LERC150/0150HDG/60R300
300	LERC050/0300HDG/60R300	LERC100/0300HDG/60R300	LERC125/0300HDG/60R300	LERC150/0300HDG/60R300
450	LERC050/0450HDG/60R300	LERC100/0450HDG/60R300	LERC125/0450HDG/60R300	LERC150/0450HDG/60R300
600	N/A	LERC100/0600HDG/60R300	LERC125/0600HDG/60R300	LERC150/0600HDG/60R300
750	N/A	LERC100/0750HDG/60R300	LERC125/0750HDG/60R300	LERC150/0750HDG/60R300
900	N/A	LERC100/0900HDG/60R300	LERC125/0900HDG/60R300	LERC150/0900HDG/60R300



# Cable ladder systems

## Cover - 45° external riser

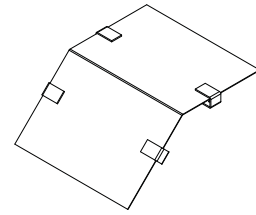
Standard radius 300mm = R300, other radii R450, R600, R750 and R900 (made to order)

Finish: hot dip galvanised = HDG, substitute SS within part number for stainless steel grade 316

Standard closed covers = C, ventilated cover = CV

Includes fixing clamps and fasteners

Width mm	Light duty 50mm deep	Medium duty 100mm deep	Heavy duty 125mm deep	Extra heavy duty 150mm deep
150	LERC050/0150HDG/45R300	LERC100/0150HDG/45R300	LERC125/0150HDG/45R300	LERC150/0150HDG/45R300
300	LERC050/0300HDG/45R300	LERC100/0300HDG/45R300	LERC125/0300HDG/45R300	LERC150/0300HDG/45R300
450	LERC050/0450HDG/45R300	LERC100/0450HDG/45R300	LERC125/0450HDG/45R300	LERC150/0450HDG/45R300
600	N/A	LERC100/0600HDG/45R300	LERC125/0600HDG/45R300	LERC150/0600HDG/45R300
750	N/A	LERC100/0750HDG/45R300	LERC125/0750HDG/45R300	LERC150/0750HDG/45R300
900	N/A	LERC100/0900HDG/45R300	LERC125/0900HDG/45R300	LERC150/0900HDG/45R300



## Cover - 30° external riser

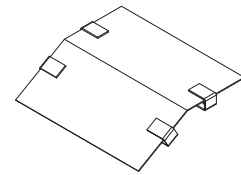
Standard radius 300mm = R300, other radii R450, R600, R750 and R900 (made to order)

Finish: hot dip galvanised = HDG, substitute SS within part number for stainless steel grade 316

Standard closed covers = C, ventilated cover = CV

Includes fixing clamps and fasteners

Width mm	Light duty 50mm deep	Medium duty 100mm deep	Heavy duty 125mm deep	Extra heavy duty 150mm deep
150	LERC050/0150HDG/30R300	LERC100/0150HDG/30R300	LERC125/0150HDG/30R300	LERC150/0150HDG/30R300
300	LERC050/0300HDG/30R300	LERC100/0300HDG/30R300	LERC125/0300HDG/30R300	LERC150/0300HDG/30R300
450	LERC050/0450HDG/30R300	LERC100/0450HDG/30R300	LERC125/0450HDG/30R300	LERC150/0450HDG/30R300
600	N/A	LERC100/0600HDG/30R300	LERC125/0600HDG/30R300	LERC150/0600HDG/30R300
750	N/A	LERC100/0750HDG/30R300	LERC125/0750HDG/30R300	LERC150/0750HDG/30R300
900	N/A	LERC100/0900HDG/30R300	LERC125/0900HDG/30R300	LERC150/0900HDG/30R300



## Cover - 90° internal riser

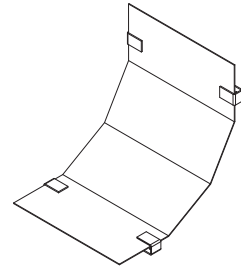
Standard radius 300mm = R300, other radii R450, R600, R750 and R900 (made to order)

Finish: hot dip galvanised = HDG, substitute SS within part number for stainless steel grade 316

Standard closed covers = C, ventilated cover = CV

Includes fixing clamps and fasteners

Width mm	
150	LIRC/0150HDG/90R300
300	LIRC/0300HDG/90R300
450	LIRC/0450HDG/90R300
600	LIRC/0600HDG/90R300
750	LIRC/0750HDG/90R300
900	LIRC/0900HDG/90R300



### Cover - 60° internal riser

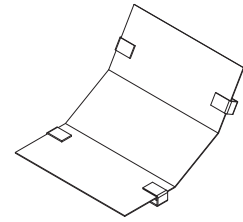
Standard radius 300mm = R300, other radii R450, R600, R750 and R900 (made to order)

Finish: hot dip galvanised = HDG, substitute SS within part number for stainless steel grade 316

Standard closed covers = C, ventilated cover = CV

Includes fixing clamps and fasteners

Width mm	
150	LIRC/0150HDG/60R300
300	LIRC/0300HDG/60R300
450	LIRC/0450HDG/60R300
600	LIRC/0600HDG/60R300
750	LIRC/0750HDG/60R300
900	LIRC/0900HDG/60R300



### Cover - 45° internal riser

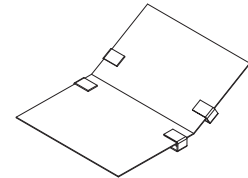
Standard radius 300mm = R300, other radii R450, R600, R750 and R900 (made to order)

Finish: hot dip galvanised = HDG, substitute SS within part number for stainless steel grade 316

Standard closed covers = C, ventilated cover = CV

Includes fixing clamps and fasteners

Width mm	
150	LIRC/0150HDG/45R300
300	LIRC/0300HDG/45R300
450	LIRC/0450HDG/45R300
600	LIRC/0600HDG/45R300
750	LIRC/0750HDG/45R300
900	LIRC/0900HDG/45R300



### Cover - 30° internal riser

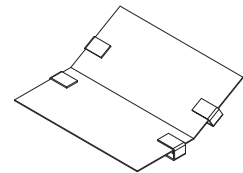
Standard radius 300mm = R300, other radii R450, R600, R750 and R900 (made to order)

Finish: hot dip galvanised = HDG, substitute SS within part number for stainless steel grade 316

Standard closed covers = C, ventilated cover = CV

Includes fixing clamps and fasteners

Width mm	
150	LIRC/0150HDG/30R300
300	LIRC/0300HDG/30R300
450	LIRC/0450HDG/30R300
600	LIRC/0600HDG/30R300
750	LIRC/0750HDG/30R300
900	LIRC/0900HDG/30R300

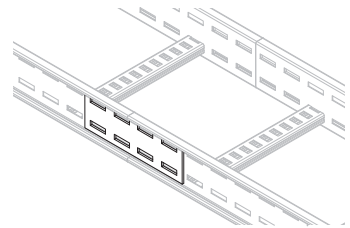


# Cable ladder systems

## Splice plates

Finish: hot dip galvanised as standard. For stainless steel grade 316 add **SS** e.g. L/SSP100**SSPR**

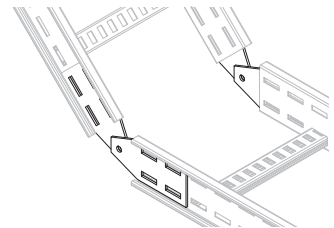
Ladder depth mm	Sold in pairs (includes 16 nuts, bolts and washers)
50	L/SSP50PR
100	L/SSP100PR
125	L/SSP125PR
150	L/SSP150PR



## Vertical splice plates

Finish: hot dip galvanised as standard. For stainless steel grade 316 add **SS** e.g. L/VSP100**SSPR**

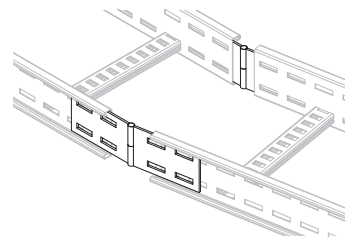
Ladder depth mm	Sold in pairs (includes 16 nuts, bolts and washers)
50	L/VSP50PR
100	L/VSP100PR
125	L/VSP125PR
150	L/VSP150PR



## Horizontal splice plates

Finish: hot dip galvanised as standard. For stainless steel grade 316 add **SS** e.g. L/HSP100**SSPR**

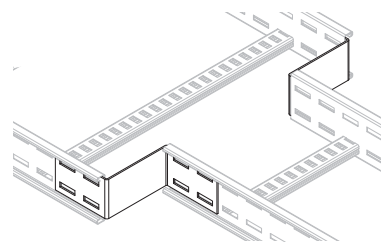
Ladder depth mm	Sold in pairs (includes 16 nuts, bolts and washers)
50	L/HSP50PR
100	L/HSP100PR
125	L/HSP125PR
150	L/HSP150PR



## Reducer plate

Finish: hot dip galvanised as standard. For stainless steel grade 316 add **SS** e.g. L/RSP100**SS**

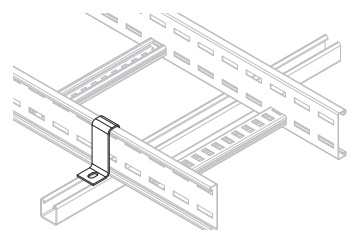
Ladder depth mm	Sold as single item (includes 8 nuts, bolts and washers)
50	L/RSP50
100	L/RSP100
125	L/RSP125
150	L/RSP150



## Hold down bracket

Finish: hot dip galvanised as standard. For stainless steel grade 316 add **SS** e.g. L/HDB100**SS**

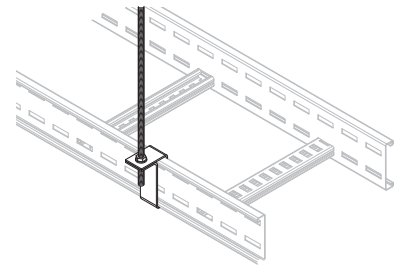
Ladder depth mm	Sold as single item (fasteners excluded)
50	L/HDB50
100	L/HDB100
125	L/HDB125
150	L/HDB150



### Suspension clip

Finish: hot dip galvanised as standard. For stainless steel grade 316 add **SS** e.g. L/SC100**SS**

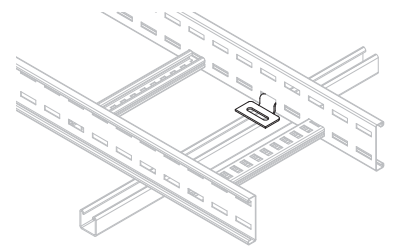
Ladder depth depth mm	Sold as single item (Fasteners excluded)
50	L/SC50
100	L/SC100
125	L/SC125
150	L/SC150



### Hold down clip

Finish: hot dip galvanised as standard. For stainless steel grade 316 add **SS** e.g. L/HDC/**ASS**

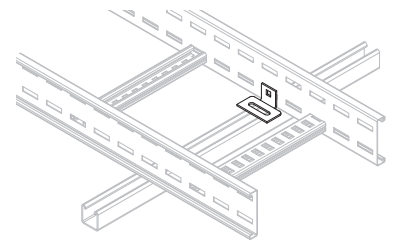
Sold as single item (Fasteners excluded)
L/HDC/A



### Bolted hold down clip

Finish: hot dip galvanised as standard. For stainless steel grade 316 add **SS** e.g. L/HDC/**BSS**

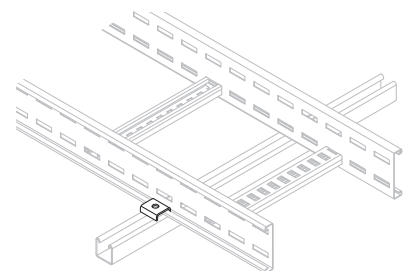
Sold as single item (Fasteners excluded)
L/HDC/B



### Side rail clamp

Finish: hot dip galvanised as standard. For stainless steel grade 316 add **SS** e.g. L/SRC/**SS**

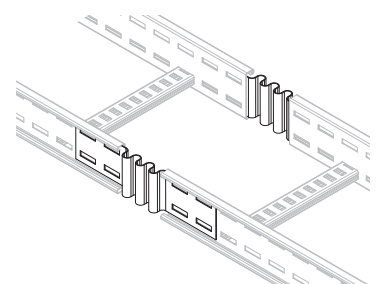
Sold as single item (Fasteners excluded)
L/SRC



### Expansion couplers

Finish: hot dip galvanised as standard. For stainless steel grade 316 add **SS** e.g. L/EC/100**SSPR**

Ladder depth mm	Sold in pairs (includes 16 nuts, bolts and washers)
50	L/EC/50PR
100	L/EC/100PR
125	L/EC/125PR
150	L/EC/150PR



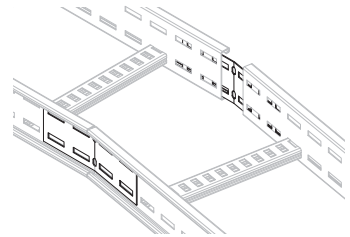


# Cable ladder systems

## Bendable splice plates

Finish: hot dip galvanised as standard. For stainless steel grade 316 add **SS** e.g. L/BSP100/SSPR

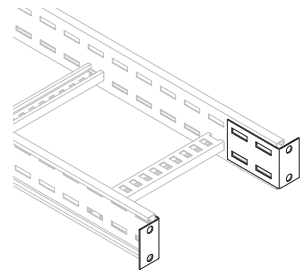
Ladder depth mm	Sold in pairs (includes 16 nuts, bolts and washers)
50	L/BSP050/PR
100	L/BSP100/PR
125	L/BSP125/PR
150	L/BSP150/PR



## End connectors

Finish: hot dip galvanised as standard. For stainless steel grade 316 add **SS** e.g. L/ECO100SSPR

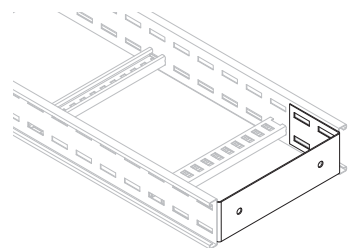
Ladder depth mm	Sold in pairs (fasteners excluded)
50	L/ECO050PR
100	L/ECO100PR
125	L/ECO125PR
150	L/ECO150PR



## Stop ends

Finish: hot dip galvanised as standard. For stainless steel grade 316 add **SS** e.g. L/SE100/0300SS

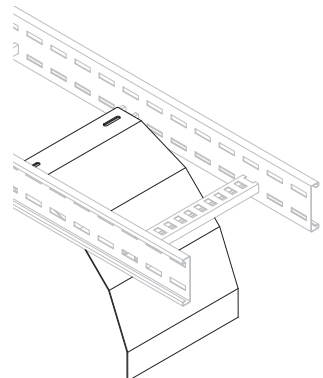
Sold as single item (fasteners excluded)				
Width mm	Light duty 50mm deep	Medium duty 100mm deep	Heavy duty 125mm deep	Extra heavy duty 150mm deep
150	L/SE050/0150	L/SE100/0150	L/SE125/0150	L/SE150/0150
300	L/SE050/0300	L/SE100/0300	L/SE125/0300	L/SE150/0300
450	L/SE050/0450	L/SE100/0450	L/SE125/0450	L/SE150/0450
600	N/A	L/SE100/0600	L/SE125/0600	L/SE150/0600
750	N/A	L/SE100/0750	L/SE125/0750	L/SE150/0750
900	N/A	L/SE100/0900	L/SE125/0900	L/SE150/0900



## Drop out plates

Finish: hot dip galvanised as standard. For stainless steel grade 316 add **SS** e.g. L/DOP300SS

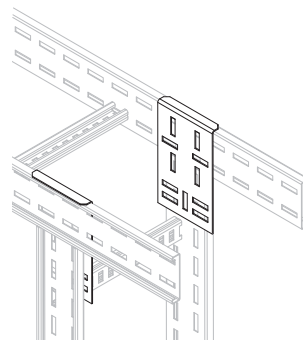
Ladder width mm	Sold as single item (fasteners excluded)
150	L/DOP150
300	L/DOP300
450	L/DOP450
600	L/DOP600
750	L/DOP750
900	L/DOP900



### Drop out brackets

Finish: hot dip galvanised as standard. For stainless steel grade 316 add **SS** e.g. L/RTR100**SS**

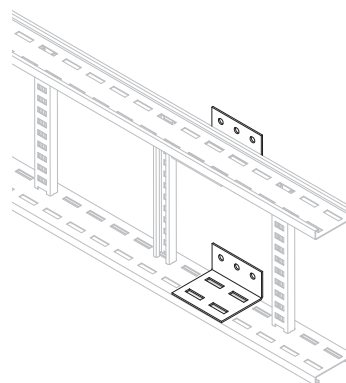
Ladder depth mm	Sold in pairs (fasteners excluded)
50	N/A
100	L/RTR100/PR
125	L/RTR125/PR
150	L/RTR150/PR



### Wall brackets

Finish: hot dip galvanised as standard. For stainless steel grade 316 add **SS** e.g. L/WSB100**SSPR**

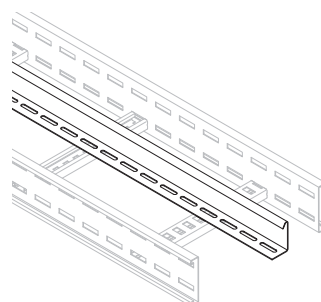
Ladder depth mm	Sold in pairs (fasteners excluded)
50	L/WSB050PR
100	L/WSB100PR
125	L/WSB125PR
150	L/WSB150PR



### Straight divider – 3m long

Finish: hot dip galvanised as standard. For stainless steel grade 316 add **SS** e.g. LSD100/3**SS**

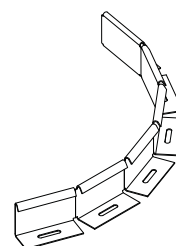
Ladder depth mm	Sold as single item (fasteners excluded)
50	LSD050/3
100	LSD100/3
125	LSD125/3
150	LSD150/3



### Bendable divider – 1m long

Finish: Hot Dip Galvanised as standard. For stainless steel grade 316 add **SS** e.g. LBD100/SS

Ladder depth mm	Sold as single item (fasteners excluded)
50	LBD050
100	LBD100
125	LBD125
150	LBD150



### Earth straps

Finish: copper braid electroplated – 16mm<sup>2</sup>

250mm long  
(fasteners excluded)

L/ES250

