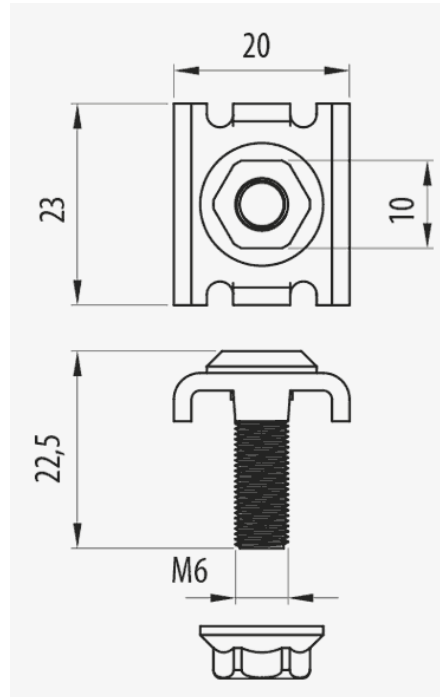


**Part Clamp**



**Description**

Metal fixing for the attachment of supports or other accessories to Rejiband wire mesh trays. It consists of a 20 mm wide plate with a captive M6 screw and nut and is suitable for connection to trays of 35, 60 and 100 mm in height and all widths. Made of steel and available in various Protection Systems.

**Advantages**

- Quick installation thanks to the captive screw.
- Large saving in time and cost of the installation.
- Precise adjustment and maximum resistance.
- E90 fire resistance (90 minutes, 1000°C) according to DIN 4102-12.
- Available in various protection systems: EZ, BC, GC or high resistance BK8, depending on the type of application.

**Applications**

Suitable for all Rejiband tray connections and accessories. It facilitates the installation of Rejiband wire mesh trays in cable management installations.

**Solutions**



INDUSTRIA ALIMENTARIA



[www.pemsa-rejiband.com](http://www.pemsa-rejiband.com)



Any information included in this document is property of Pemsa®. It cannot be copied, total or partially, nor disclosed to third parties nor used without the explicit and written authorization by Pemsa®. These documents total or partially, can be subject to patent and/or be patent pending and therefore protected by intellectual and industrial property rights. Pemsa, Rejiband, Pemsaband, Inducanal, Rejitech, Megaband, Pemsaflex are registered trademarks property of "Pemsa Cable Management, S.A."

**Main technical characteristics**

M 6	50	-50 / 150 °C	E90 (90 min. 1000°C)	ETIM EC002413
-----	----	--------------	----------------------	------------------

**Product data**

Ⓢ	Class	Ⓜ	Ref	kg/u	Ⓜ
EZ	Class 3	20	64010060	0.019	Steel with surface coating
GC	Class 8	20	64030060	0.019	Steel with surface coating
GC	Class 8	30	64030160	0.021	Steel with surface coating
INOX	Class 9D	20	64060060	0.019	Acero inoxidable AISI 316L
BK8	Class 8	20	64080060	0.019	Steel with surface coating

**Ⓢ Protection System**

- CU - Copper electroplated
- PG - Pregalvanised
- EZ - Electrogalvanised
- BC - Electrogalvanised Bichromate
- BK8 - High Resistance Coating
- GC - Hot Dip Galvanising
- INOX - Stainless Steel
- PT - Polyester Paint
- AL - Aluminum
- LN - Brass or Nickel-plated brass

**Ⓜ Insulating materials**

- PC+ABS - Halogen Free Polycarbonate + ABS
- PVC - Polyvinyl Chloride
- PP - Halogen Free Polypropylene
- PA6 - Halogen Free Polyamide 6
- PA12 - Halogen Free Polyamide 12
- PU - Polyurethane
- PE - Polyethylene
- NBR - NBR rubber
- PET - Thermoplastic Polyester
- TPV - Thermoplastic



[www.pemsa-rejiband.com](http://www.pemsa-rejiband.com)



Any information included in this document is property of Pemsa®. It cannot be copied, total or partially, nor disclosed to third parties nor used without the explicit and written authorization by Pemsa®. These documents total or partially, can be subject to patent and/or be patent pending and therefore protected by intellectual and industrial property rights. Pemsa, Rejiband, Pemsaband, Inducanal, Rejitech, Megaband, Pemsaflex are registered trademarks property of "Pemsa Cable Management, S.A."

**Product applications**

