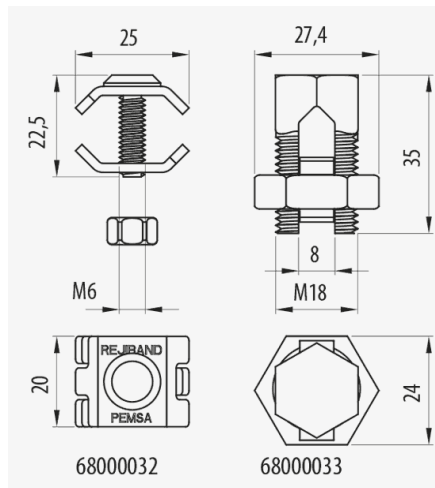
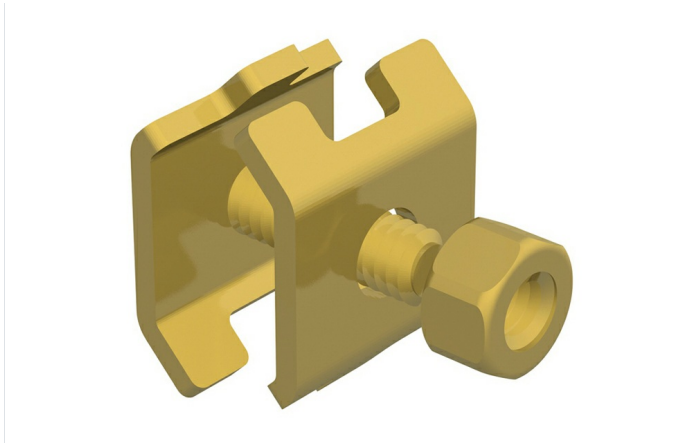


**Bonding Connector**



**Description**

Brass terminal for the equipotential bonding of the Rejiband® trays or for connection to the protective conductor and earthing of the electrical installation.

**Advantages**

Ensures the equipotentiality of the continuous sections of Rejiband®.

It facilitates the earthing of the Rejiband® tray.

Economical and reliable design.

Select the reference according to the size of the conductor.

**Applications**

It is used for the equipotential connection of the Rejiband® trays or for their connection to the protective conductor and earthing of the electrical installation.

**Solutions**



**Bonding Connector**

**Main technical characteristics**

LTN	20	Brass	-50 / 150 °C	ETIM EC002935
-----	----	-------	--------------	------------------

**Product data**

Length	Ø	A <sub>mm</sub>	B <sub>mm</sub>	REF	kg/u
16	4.5 / 6.5	16	35	68000032	0.024
35	6.5 / 7.5	35	45	68000033	0.064

**Protection System**

- CU - Copper electroplated
- PG - Pregalvanised
- EZ - Electrogalvanised
- BC - Electrogalvanised Bichromate
- BK8 - High Resistance Coating
- GC - Hot Dip Galvanising
- INOX - Stainless Steel
- PT - Polyester Paint
- AL - Aluminum
- LN - Brass or Nickel-plated brass

**Insulating materials**

- PC+ABS - Halogen Free Polycarbonate + ABS
- PVC - Polyvinyl Chloride
- PP - Halogen Free Polypropylene
- PA6 - Halogen Free Polyamide 6
- PA12 - Halogen Free Polyamide 12
- PU - Polyurethane
- PE - Polyethylene
- NBR - NBR rubber
- PET - Thermoplastic Polyester
- TPV - Thermoplastic



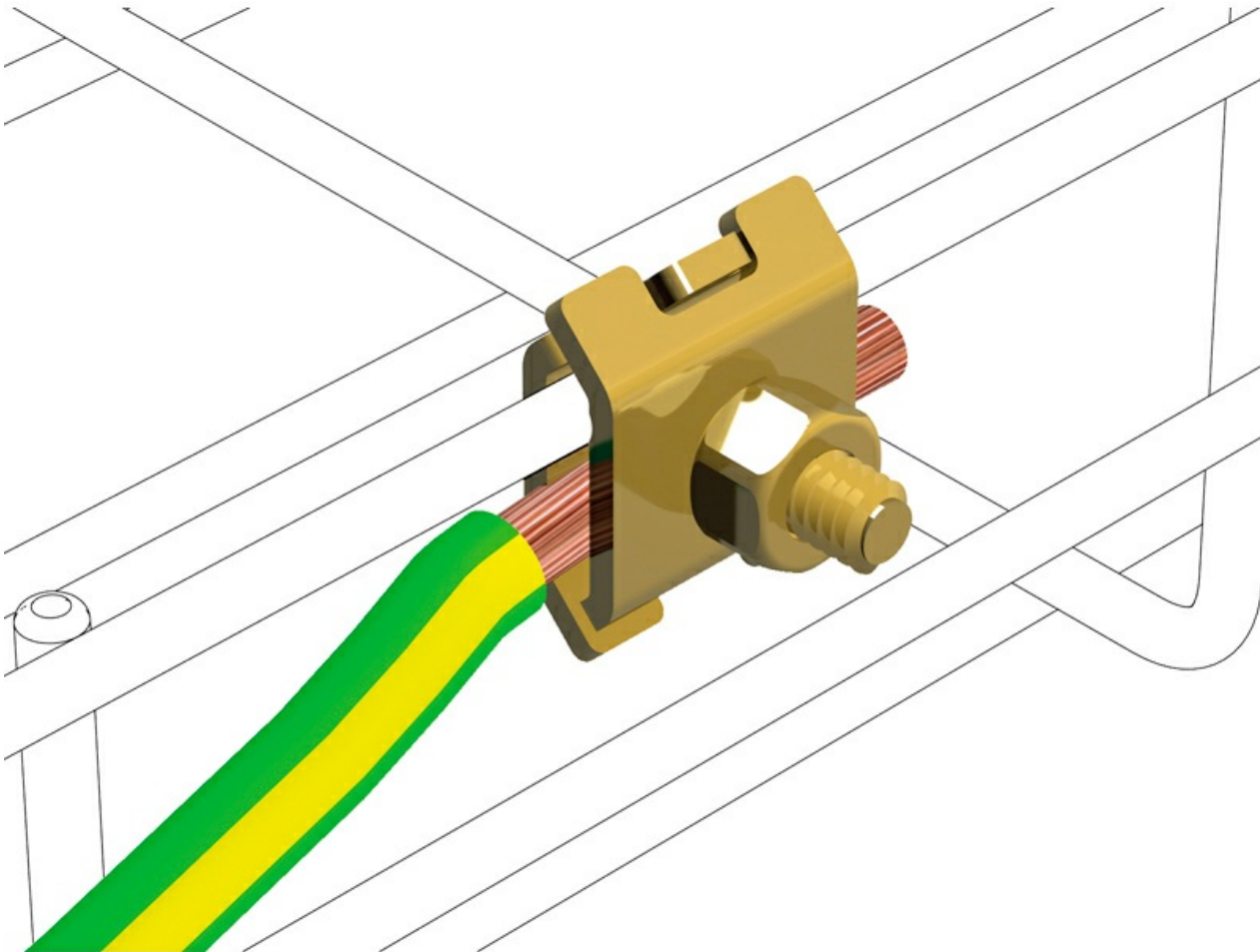
[www.pemsa-rejiband.com](http://www.pemsa-rejiband.com)



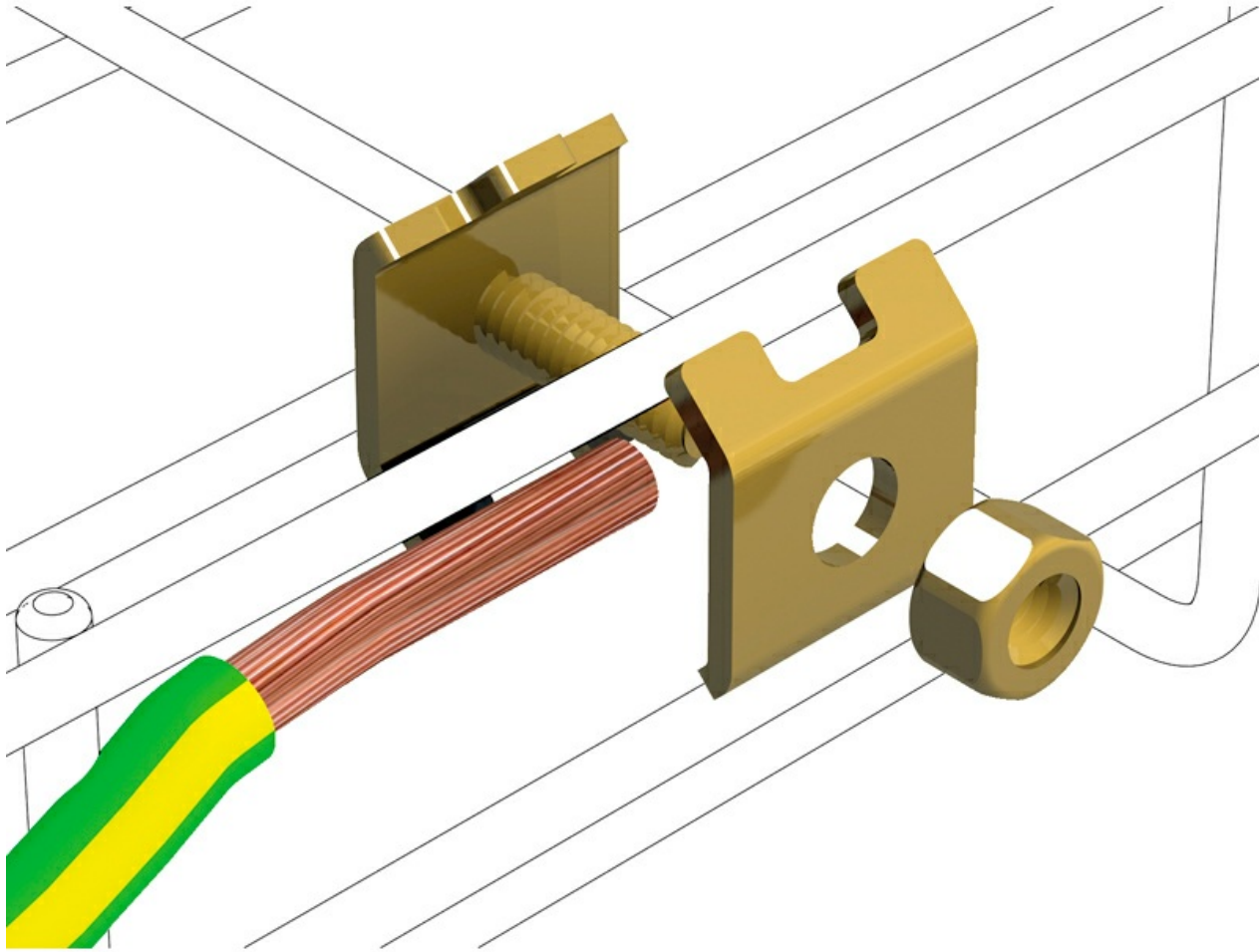
Any information included in this document is property of Pemsa®. It cannot be copied, total or partially, nor disclosed to third parties nor used without the explicit and written authorization by Pemsa®. These documents total or partially, can be subject to patent and/or be patent pending and therefore protected by intellectual and industrial property rights. Pemsa, Rejiband, Pemsaband, Inducanal, Rejitech, Megaband, Pemsaflex are registered trademarks property of "Pemsa Cable Management, S.A."

**Bonding Connector**

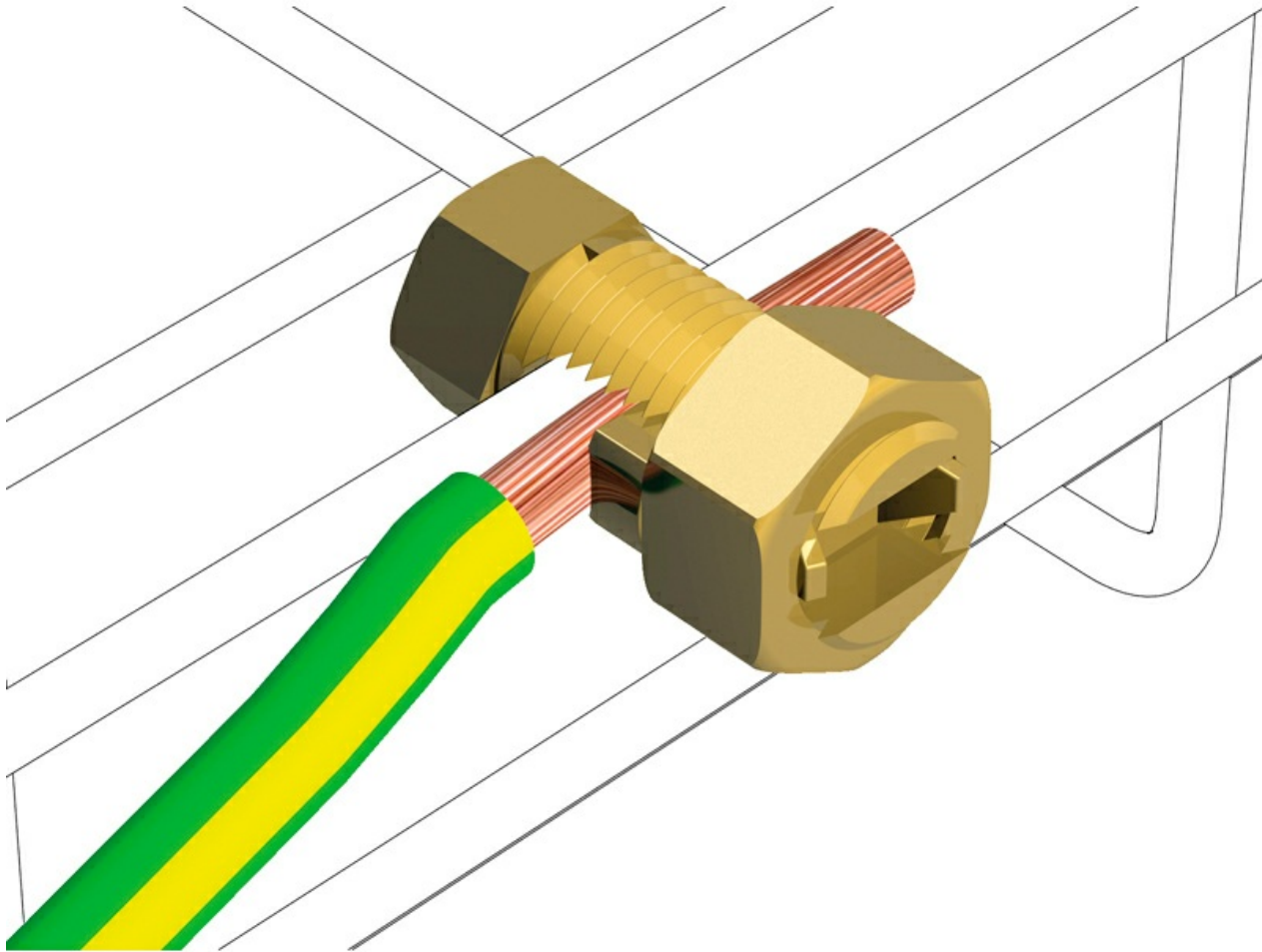
**Product applications**



**Bonding Connector**



**Bonding Connector**



**Bonding Connector**

