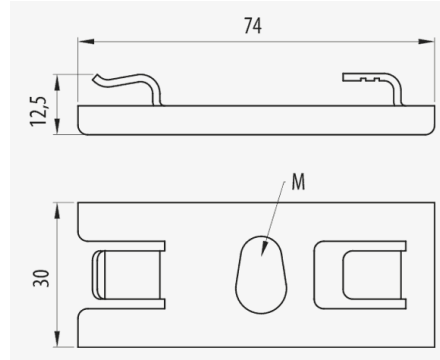


Click Central Suspension



Description

Advantages

Fixing by quick mount click system.

Recommended for 100, 150 and 200 mm width trays.

It allows the introduction of cables into the tray from the side.

Available in various protection systems: EZ, BC, GC, high resistance BK C8 and passivated stainless steel AISI 316.

Applications

Suitable for the ceiling mounting of Rejiband in widths from 100 to 200 mm by means of a single rod in indoor installations in a dry atmosphere with no contaminants, exterior, industrial, marine, rural or aggressive interior installations.

Solutions



INDUSTRIA ALIMENTARIA



www.pemsa-rejiband.com

Any information included in this document is property of Pemsa®. It cannot be copied, total or partially, nor disclosed to third parties nor used without the explicit and written authorization by Pemsa®. These documents total or partially, can be subject to patent and/or be patent pending and therefore protected by intellectual and industrial property rights. Pemsa, Rejiband, Pemsaband, Inducanal, Rejitech, Megaband, Pemsaflex are registered trademarks property of "Pemsa Cable Management, S.A."



Click Central Suspension

Main technical characteristics

M 8, M 6, M10	20	-50 / 150 °C	A1 No combustible	ETIM EC001003
---------------	----	--------------	-------------------	------------------

Product data

Ⓢ	01537		REF	kg/u	Ⓜ	CTA
EZ	Class 3	M 8	67010043	0.029	Steel with surface coating	85
EZ	Class 3	M 6	67010143	0.030	Steel with surface coating	85
GC	Class 8	M 8	67030043	0.030	Steel with surface coating	85
GC	Class 8	M 6	67030143	0.031	Steel with surface coating	85
INOX	Class 9D	M 8	67060043	0.029	Acero inoxidable AISI 316L	85
INOX	Class 9D	M 6	67060143	0.029	Acero inoxidable AISI 316L	85
BK8	Class 8	M10	67080043	0.030	Steel with surface coating	70
BK8	Class 8	M 6	67080143	0.030	Steel with surface coating	85

Ⓢ Protection System

- CU - Copper electroplated
- PG - Pregalvanised
- EZ - Electrogalvanised
- BC - Electrogalvanised Bichromate
- BK8 - High Resistance Coating
- GC - Hot Dip Galvanising
- INOX - Stainless Steel
- PT - Polyester Paint
- AL - Aluminum
- LN - Brass or Nickel-plated brass

Ⓜ Insulating materials

- PC+ABS - Halogen Free Polycarbonate + ABS
- PVC - Polyvinyl Chloride
- PP - Halogen Free Polypropylene
- PA6 - Halogen Free Polyamide 6
- PA12 - Halogen Free Polyamide 12
- PU - Polyurethane
- PE - Polyethylene
- NBR - NBR rubber
- PET - Thermoplastic Polyester
- TPV - Thermoplastic



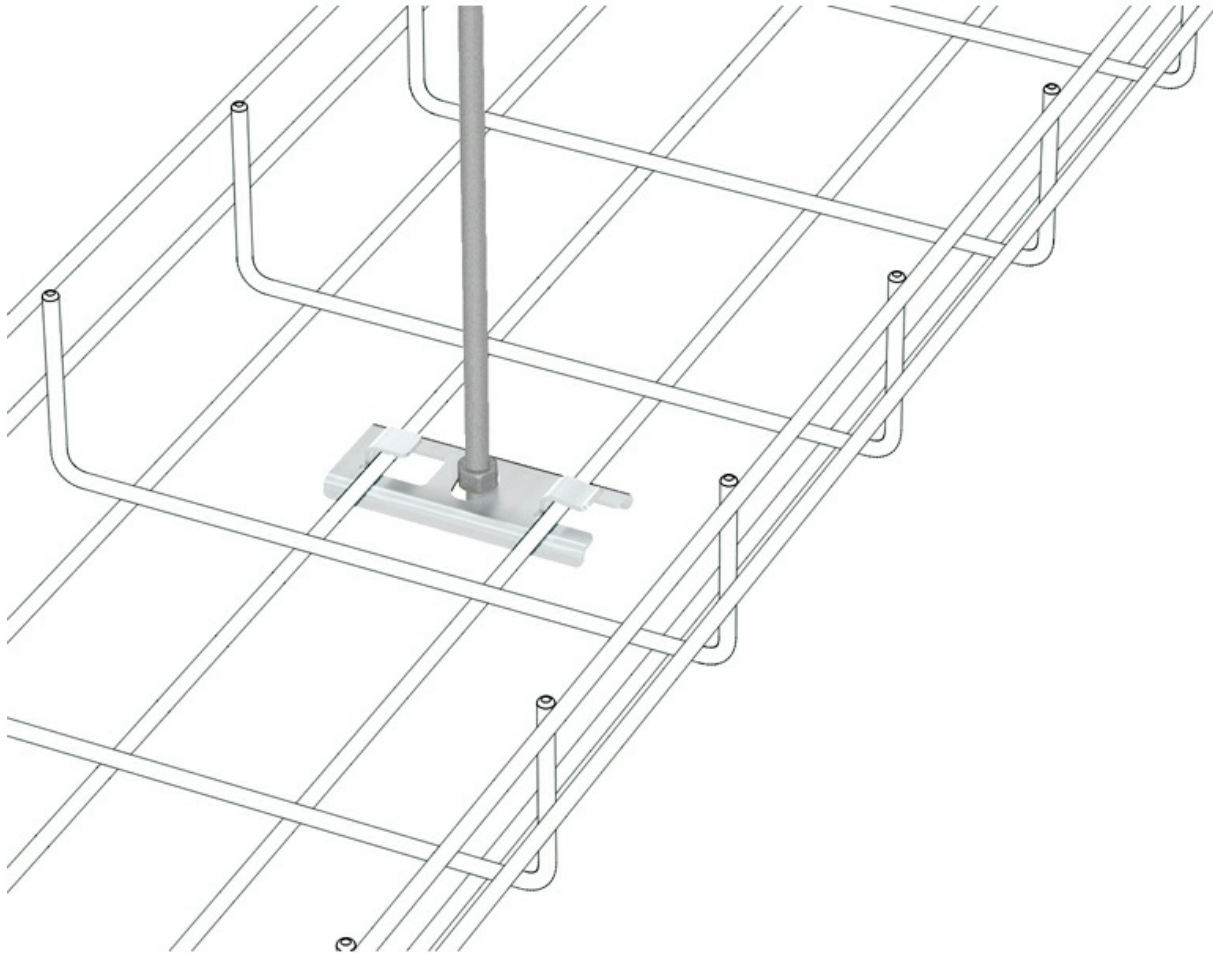
www.pemsa-rejiband.com

Any information included in this document is property of Pemsa®. It cannot be copied, total or partially, nor disclosed to third parties nor used without the explicit and written authorization by Pemsa®. These documents total or partially, can be subject to patent and/or be patent pending and therefore protected by intellectual and industrial property rights. Pemsa, Rejiband, Pemsaband, Inducanal, Rejitech, Megaband, Pemsaflex are registered trademarks property of "Pemsa Cable Management, S.A."

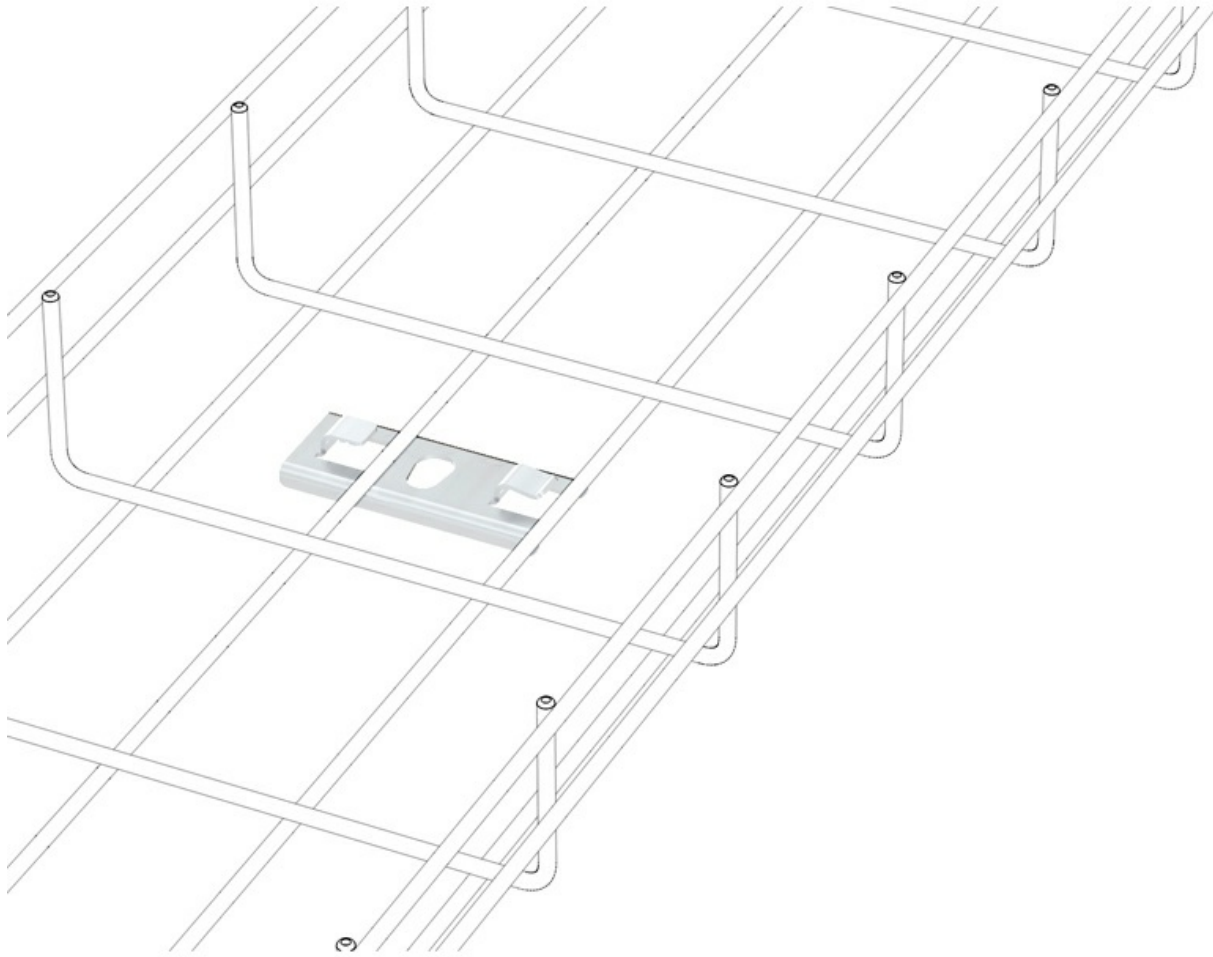


Click Central Suspension

Product applications



Click Central Suspension



Click Central Suspension

