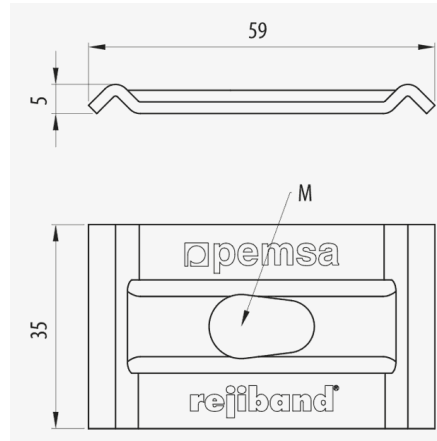


Central Hanging Plate



Description

Central mounting bracket, in M6, M8 and M10, for Rejiband® wire mesh tray. It allows the introduction of cables into the tray from the side and saves installation time when mounting it with a single rod and the respective nuts. Available in various Protection Systems.

Advantages

The ceiling mount allows the introduction of cables into the tray from the side, saves in installation time and cost of material.

Thanks to its shape it adapts easily for anchoring to the rods.

Suitable for tray widths from 100 to 200 mm inclusive.

Available in various diameters: M6, M8 and M10.

Available in various protection systems: EZ, BC, GC, high resistance BK C8 and passivated stainless steel AISI 316.

Applications

Suitable for the ceiling mounting of Rejiband in widths from 100 to 200 mm by means of a single rod in indoor installations in a dry atmosphere with no contaminants, exterior, industrial, marine, rural or aggressive interior installations.

Solutions



INDUSTRIA ALIMENTARIA



www.pemsa-rejiband.com

Any information included in this document is property of Pemsa®. It cannot be copied, total or partially, nor disclosed to third parties nor used without the explicit and written authorization by Pemsa®. These documents total or partially, can be subject to patent and/or be patent pending and therefore protected by intellectual and industrial property rights. Pemsa, Rejiband, Pemsaband, Inducanal, Rejitech, Megaband, Pemsaflex are registered trademarks property of "Pemsa Cable Management, S.A."



Central Hanging Plate

Main technical characteristics

M10, M 6	20	70	-50 / 150 °C	A1 No combustible	ETIM EC001003
----------	----	----	--------------	-------------------	------------------

Product data

Ⓢ	01537		REF	kg/u	Ⓜ
EZ	Class 3	M10	67010046	0.031	Steel with surface coating
EZ	Class 3	M 6	67010144	0.033	Steel with surface coating
GC	Class 8	M10	67030046	0.032	Steel with surface coating
GC	Class 8	M 6	67030144	0.034	Steel with surface coating
INOX	Class 9D	M10	67060046	0.031	Acero inoxidable AISI 316L
BK8	Class 8	M10	67080046	0.032	Steel with surface coating

Ⓢ Protection System

- CU - Copper electroplated
- PG - Pregalvanised
- EZ - Electrogalvanised
- BC - Electrogalvanised Bichromate
- BK8 - High Resistance Coating
- GC - Hot Dip Galvanising
- INOX - Stainless Steel
- PT - Polyester Paint
- AL - Aluminum
- LN - Brass or Nickel-plated brass

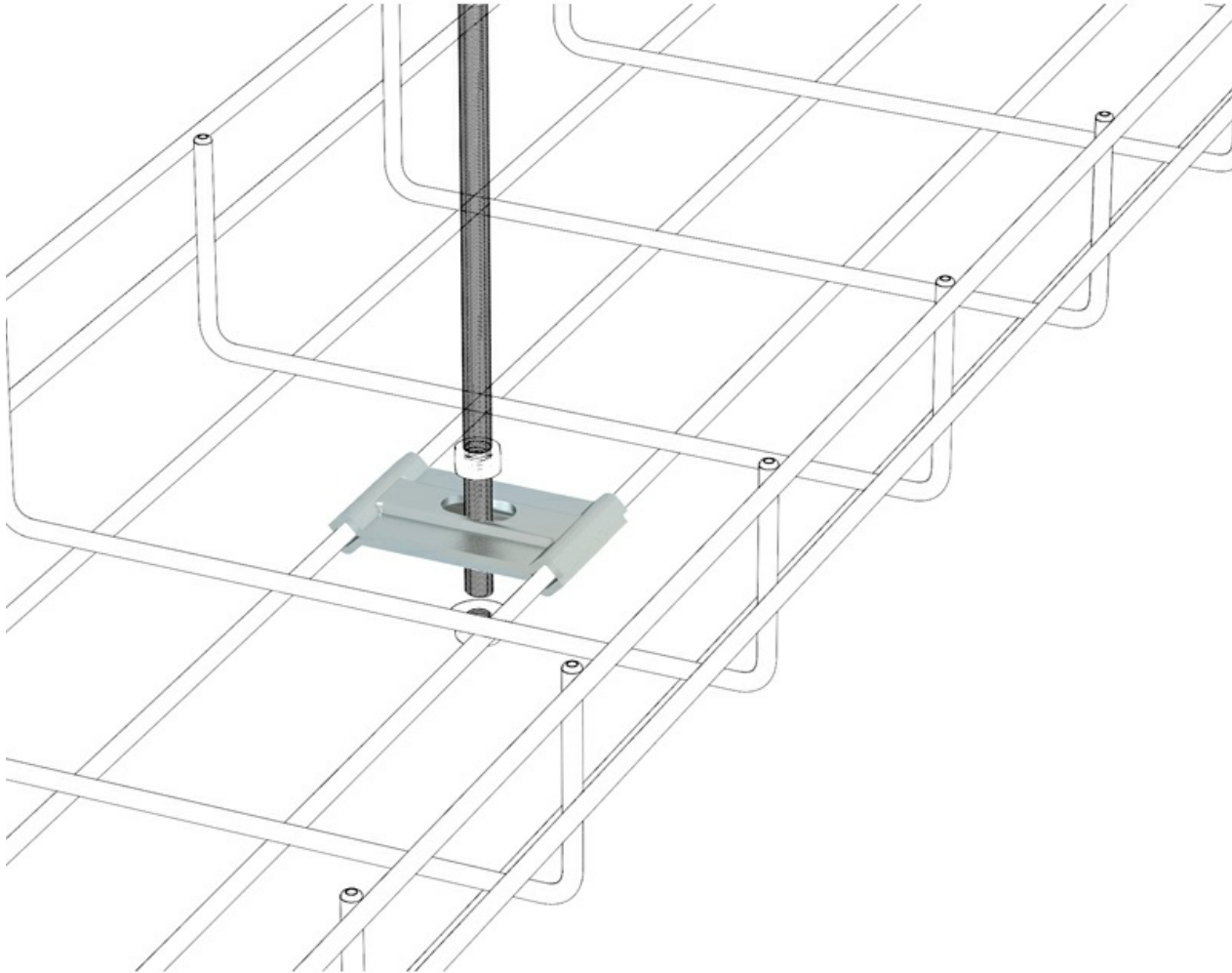
Ⓜ Insulating materials

- PC+ABS - Halogen Free Polycarbonate + ABS
- PVC - Polyvinyl Chloride
- PP - Halogen Free Polypropylene
- PA6 - Halogen Free Polyamide 6
- PA12 - Halogen Free Polyamide 12
- PU - Polyurethane
- PE - Polyethylene
- NBR - NBR rubber
- PET - Thermoplastic Polyester
- TPV - Thermoplastic

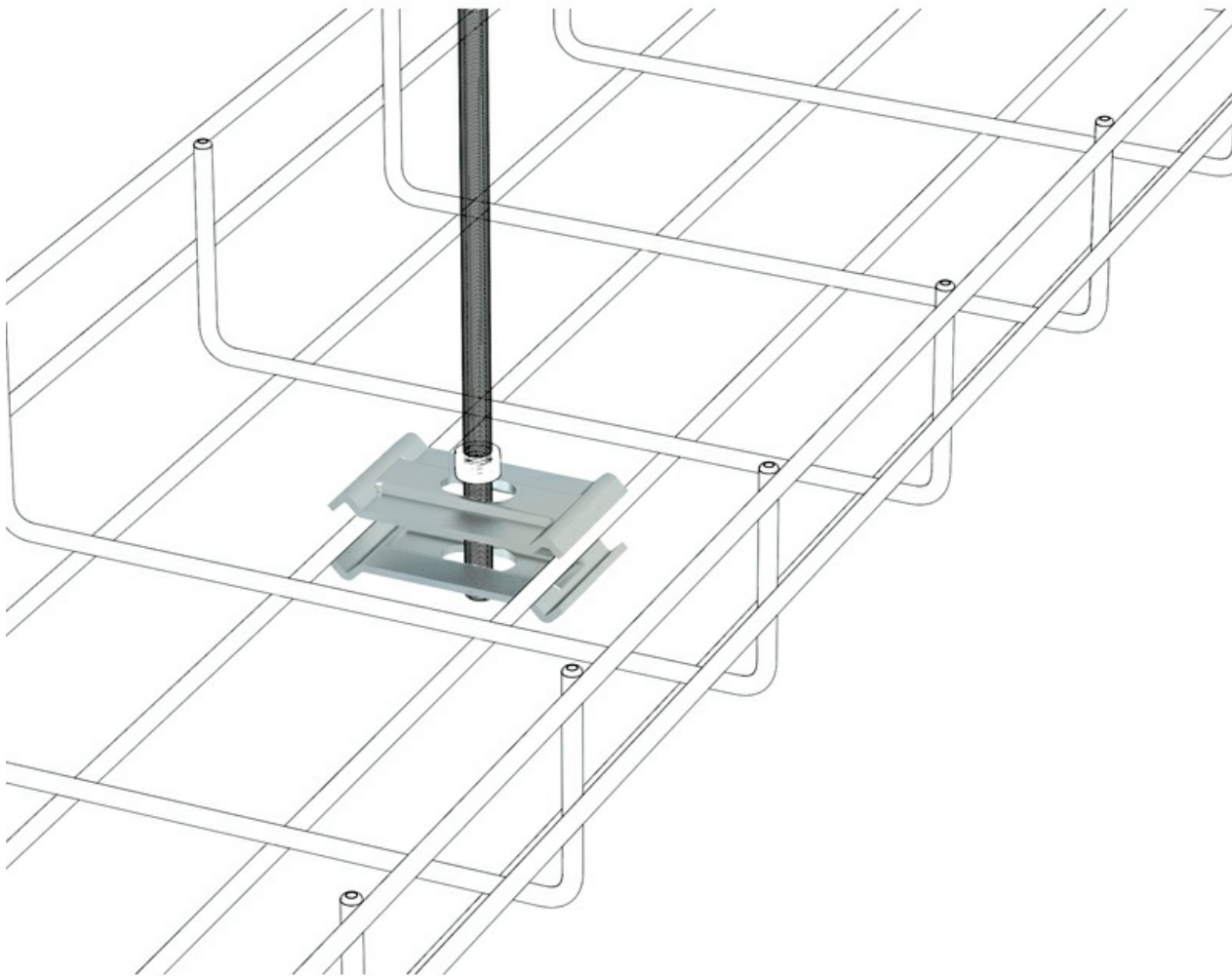


Central Hanging Plate

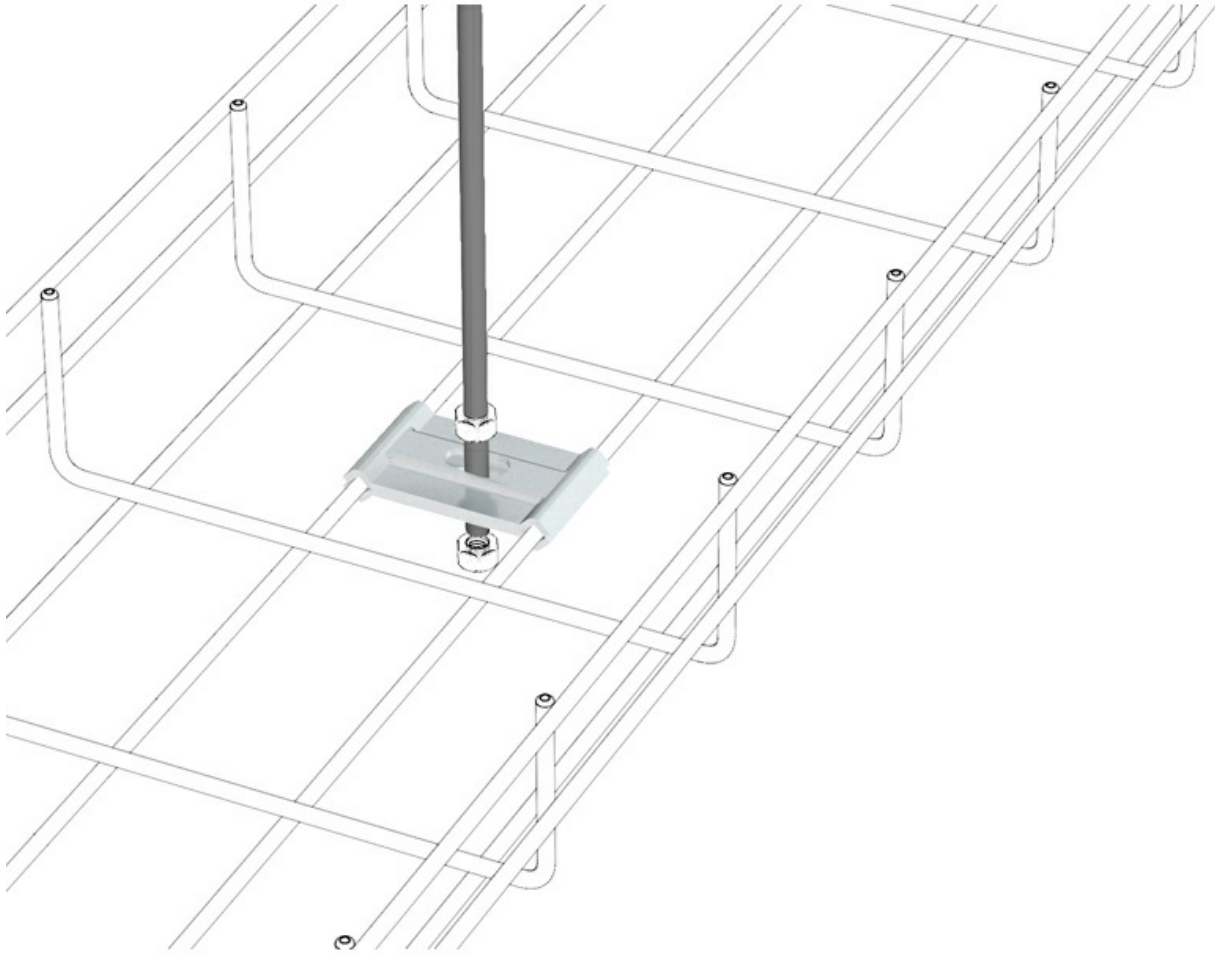
Product applications



Central Hanging Plate



Central Hanging Plate



Central Hanging Plate

