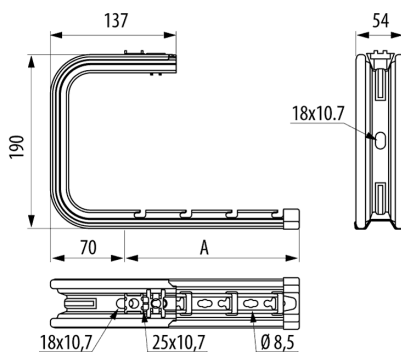


**Omega SPLUS Ceiling Bracket**



**Description**

Support with omega profile and universal connection system for Rejiband® and Pemsaband® trays mounted to the ceiling. Click fixing system. Made of steel and available for widths of 100, 150, 200, 300 and 400 mm and in various Protection Systems.

**Advantages**

Click system allows fast connection of the wire mesh tray without the need of fixings. Greater economy and quick assembly.

Universal mounting system compatible with Rejiband® grid trays, Pemsaband® sheet and PVC trays. A single support for all trays. Reduction in the number of references.

C shape, which allows the introduction of the cables from the side. Includes plugs and protectors to improve installation and protect the installer.

N Mark of Aenor, in accordance with IEC 61537 and CE conformity to Directive 2014/35 / EU. Fire resistance E90 according to DIN 4102-12.

Available in several protection systems: PG, GC, BK8 and stainless steel AISI 304 and AISI 316L.

**Applications**

Suitable for supporting medium loads of cable trays to the ceiling for electrical installations and / or of telecommunications in: Civil works, tunnels, car parks, public buildings, commercial centres, large infrastructures such as: Airports, underground, rail, tertiary sector, industrial naval, petrochemical, textile, chemical and food applications, according to the finish.

**Solutions**



INDUSTRIA ALIMENTARIA FOTVOLTAICA CENTROS DE DATOS EDIFICACIÓN. TERCIARIO RESISTENCIA AL FUEGO



[www.pemsa-rejiband.com](http://www.pemsa-rejiband.com)

Any information included in this document is property of Pemsa®. It cannot be copied, total or partially, nor disclosed to third parties nor used without the explicit and written authorization by Pemsa®. These documents total or partially, can be subject to patent and/or be patent pending and therefore protected by intellectual and industrial property rights. Pemsa, Rejiband, Pemsaband, Inducanal, Rejitech, Megaband, Pemsaflex are registered trademarks property of "Pemsa Cable Management, S.A."



# Omega SPLUS Ceiling Bracket

## Main technical characteristics

190	100, 150, 200, 300, 400	4	-50 / 150 °C	ETIM EC001003
-----	-------------------------	---	--------------	------------------

## Product data

Ⓢ	Ⓜ	Ⓛ	REF	kg/u	Ⓜ	CTA VCL	Ⓢ
PG	Class 3	100	62022104	0.371	Steel with surface coating	33	E90 (90 min. 1000°C)
PG	Class 3	150	62022154	0.398	Steel with surface coating	36	E90 (90 min. 1000°C)
PG	Class 3	200	62022204	0.592	Steel with surface coating	29	E90 (90 min. 1000°C)
PG	Class 3	300	62022304	0.696	Steel with surface coating	25	E90 (90 min. 1000°C)
PG	Class 3	400	62022404	0.798	Steel with surface coating	18	E90 (90 min. 1000°C)
AZ+	Class 8	100	62032104	0.411	Steel with surface coating	33	A1 No combustible
AZ+	Class 8	150	62032154	0.440	Steel with surface coating	36	E90 (90 MIN. 1000°C),A1 NO COMBUSTIBLE
AZ+	Class 8	200	62032204	0.651	Steel with surface coating	29	A1 No combustible
AZ+	Class 8	300	62032304	0.765	Steel with surface coating	25	A1 No combustible
AZ+	Class 8	400	62032404	0.878	Steel with surface coating	18	A1 No combustible
INOX	Class 9C	100	62052104	0.401	Stainless steel AISI 304	33	E90 (90 min. 1000°C)
INOX	Class 9C	150	62052154	0.431	Stainless steel AISI 304	36	E90 (90 min. 1000°C)
INOX	Class 9C	200	62052204	0.642	Stainless steel AISI 304	29	E90 (90 min. 1000°C)
INOX	Class 9C	300	62052304	0.756	Stainless steel AISI 304	25	E90 (90 min. 1000°C)
INOX	Class 9C	400	62052404	0.869	Stainless steel AISI 304	18	E90 (90 min. 1000°C)
INOX	Class 9D	100	62062104	0.401	Acero inoxidable AISI 316L	33	E90 (90 min. 1000°C)
INOX	Class 9D	150	62062154	0.431	Acero inoxidable AISI 316L	36	E90 (90 min. 1000°C)
INOX	Class 9D	200	62062204	0.642	Acero inoxidable AISI 316L	29	E90 (90 min. 1000°C)
INOX	Class 9D	300	62062304	0.756	Acero inoxidable AISI 316L	25	E90 (90 min. 1000°C)
INOX	Class 9D	400	62062404	0.869	Acero inoxidable AISI 316L	18	E90 (90 min. 1000°C)
BK8	Class 8	100	62082104	0.420	Steel with surface coating	33	E90 (90 min. 1000°C)
BK8	Class 8	150	62082154	0.450	Steel with surface coating	36	E90 (90 min. 1000°C)
BK8	Class 8	200	62082204	0.662	Steel with surface coating	29	E90 (90 min. 1000°C)
BK8	Class 8	300	62082304	0.778	Steel with surface coating	25	E90 (90 min. 1000°C)
BK8	Class 8	400	62082404	0.893	Steel with surface coating	18	E90 (90 min. 1000°C)

## Ⓢ Protection System

CU - Copper electroplated

PG - Pregalvanised

EZ - Electroalvanised

BC - Electroalvanised Bichromate

BK8 - High Resistance Coating

GC - Hot Dip Galvanising

INOX - Stainless Steel

PT - Polyester Paint

AL - Aluminum



[www.pemsa-rejiband.com](http://www.pemsa-rejiband.com)

Any information included in this document is property of Pemsa®. It cannot be copied, total or partially, nor disclosed to third parties nor used without the explicit and written authorization by Pemsa®. These documents total or partially, can be subject to patent and/or be patent pending and therefore protected by intellectual and industrial property rights. Pemsa, Rejiband, Pemsaband, Inducanal, Rejitech, Megaband, Pemsaflex are registered trademarks property of "Pemsa Cable Management, S.A."



# Omega SPLUS Ceiling Bracket

LN - Brass or Nickel-plated brass

## Insulating materials

**PC+ABS** - Halogen Free Polycarbonate + ABS

**PVC** - Polyvinyl Chloride

**PP** - Halogen Free Polypropylene

**PA6** - Halogen Free Polyamide 6

**PA12** - Halogen Free Polyamide 12

**PU** - Polyurethane

**PE** - Polyethylene

**NBR** - NBR rubber

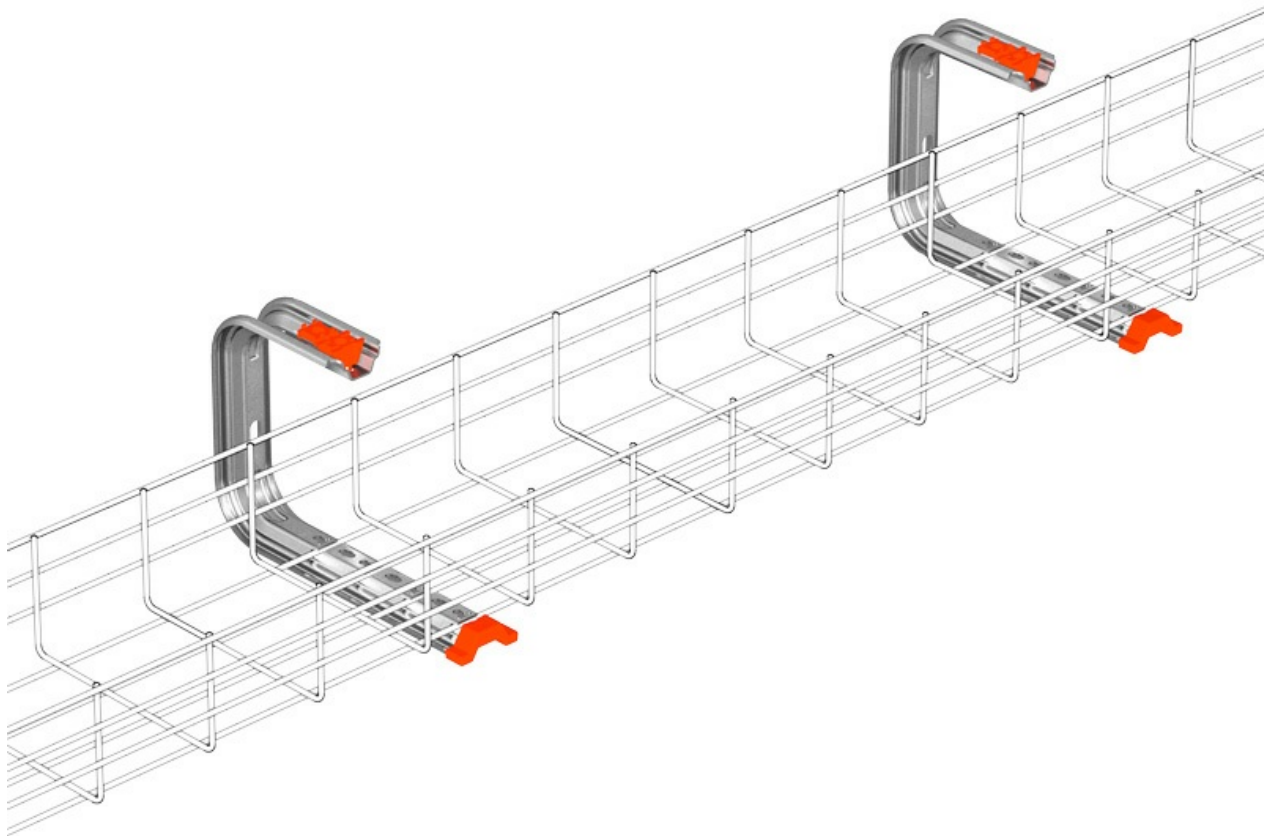
**PET** - Thermoplastic Polyester

**TPV** - Thermoplastic



**Omega SPLUS Ceiling Bracket**

**Product applications**



**Omega SPLUS Ceiling Bracket**

