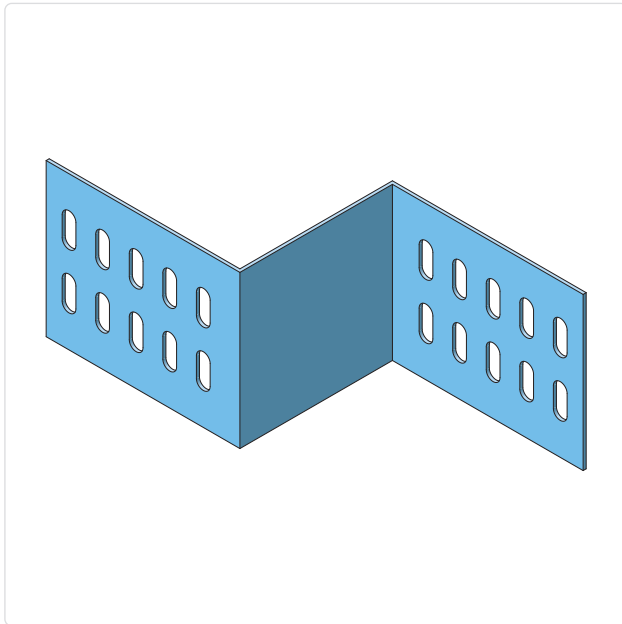


## ECTRR100

### Righthand Reducer Cable Tray ECT100



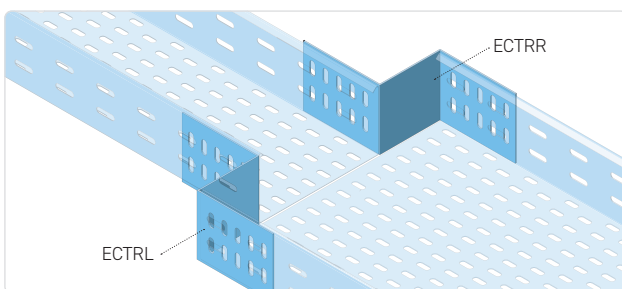
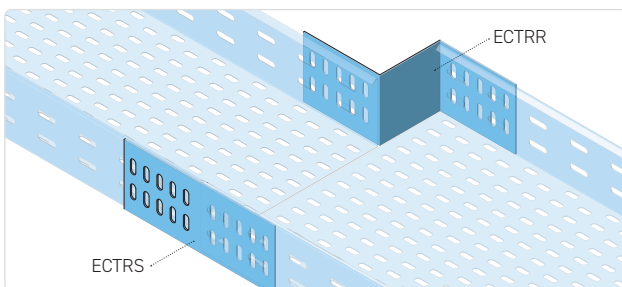
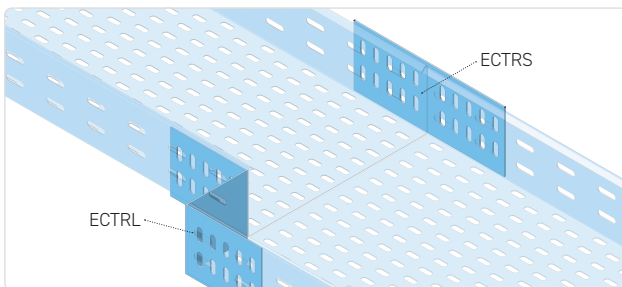
- ✓ Standard execution **hot dip galvanized carbon steel** in accordance with NEN-EN-ISO 1461
- ✓ High zinc coating thickness of **at least 80 µm**
- ✓ Also available in **pre-galvanized, stainless steel 316L** and **stainless steel 304**

#### Description

The ECTRR100 right reducer is an accessory for the ECT100 cable tray system and is used to create an asymmetrical width transition within cable routes. The reducer enables a gradual transition between cable trays with different widths while maintaining alignment on the right side. This accessory is suitable for heavy industrial, utility, and infrastructure installations.

The standard execution is manufactured from hot-dip galvanized carbon steel in accordance with NEN-EN-ISO 1461, with a zinc coating thickness of at least 80 µm, making it suitable for industrial and outdoor environments. The hot-dip galvanizing process is applied after fabrication and provides complete surface protection, including cut edges and mounting holes. This makes the reducer suitable for applications with increased corrosive and mechanical loads, in accordance with IEC 61537 and installations according to NEN 1010.

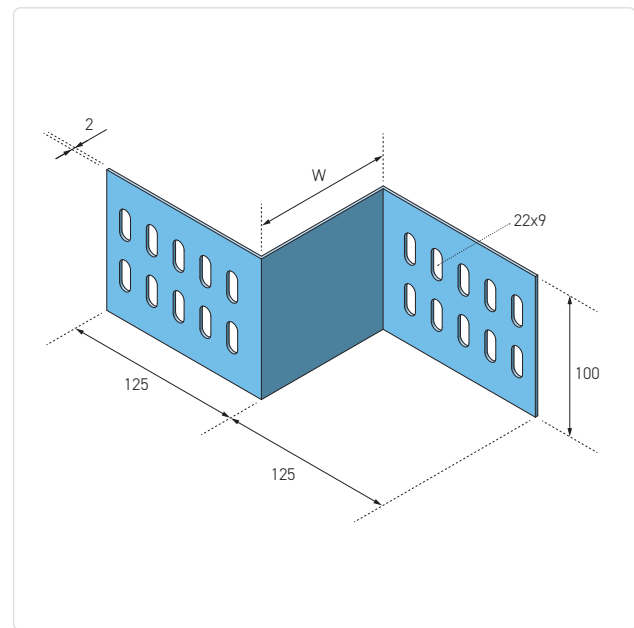
The reducer is designed as a fixed accessory for direct connection to straight ECT100 cable trays. To create a complete width transition, this reducer must always be combined with an additional reducer, depending on the required configuration: a left reducer (ECTRL100) or a straight reducer (ECTRS100). The reducers are available with widths ranging from 50 to 150 mm and, when combined, provide a stable, properly aligned, and system-compliant transition within the ECT100 cable tray system. The design features integrated connectors and is supplied with 8x EFS08x15 fixing set (carriage bolt M08x15, nut and washer), allowing fast installation with proper alignment.



*Note: To create a complete width transition, this reducer must always be combined with an additional reducer, depending on the required configuration: a left reducer (ECTRL100) or a straight reducer (ECTRS100).*

## Technical specifications

<b>Product type:</b>	Righthand reducer for ECT cable tray
<b>System:</b>	ECT100
<b>System height:</b>	100 mm
<b>Material thickness:</b>	2.0 mm
<b>Length:</b>	250 mm
<b>Height:</b>	100 mm
<b>Width:</b>	50–150 mm
<b>Connector perforation:</b>	22 × 9 mm
<b>Standard material:</b>	Carbon steel
<b>Surface treatment:</b>	Hot-dip galvanized in accordance with NEN-EN-ISO 1461
<b>Zinc coating thickness:</b>	Minimum 80 µm
<b>Connection method:</b>	Bolted
<b>Execution:</b>	With integrated connectors, including 8x EFS08x15 fixing set (carriage bolt M08x15, nut and washer)
<b>Standards:</b>	IEC 61537, applicable within installations in accordance with NEN 1010
<b>Construction type:</b>	Reduction to the right



## Available material variants

**PG:** Pre-galvanized steel (EN 10346), suitable for dry indoor environments and light industrial applications.

**HDG:** Hot-dip galvanized carbon steel in accordance with NEN-EN-ISO 1461, with a high coating thickness of at least 80 µm, suitable for heavy industrial and outdoor environments.

**SS 304 (A2 / 1.4301):** Stainless steel for indoor environments and lightly corrosive conditions.

**SS 316L (A4 / 1.4404):** Stainless steel with increased corrosion resistance for chemical, maritime, and offshore applications.

*Other widths on request.*

### Variants

Article number	L mm	W mm	H mm	e mm	kg/unit
ECTRR100-050-HDG	250	50	60	2.0	0.77
ECTRR100-075-HDG	250	75	60	2.0	0.79
ECTRR100-100-HDG	250	100	60	2.0	0.81
ECTRR100-125-HDG	250	125	60	2.0	0.84
ECTRR100-150-HDG	250	150	60	2.0	0.89

Available material variants	Change HDG to
Hot dip galvanized	-
Pre-galvanized (PG)	PG
Stainless steel A4 / 316L	SS316
Stainless steel A2 / 304	SS304

**Overview ECT Cable Tray 100 mm**

