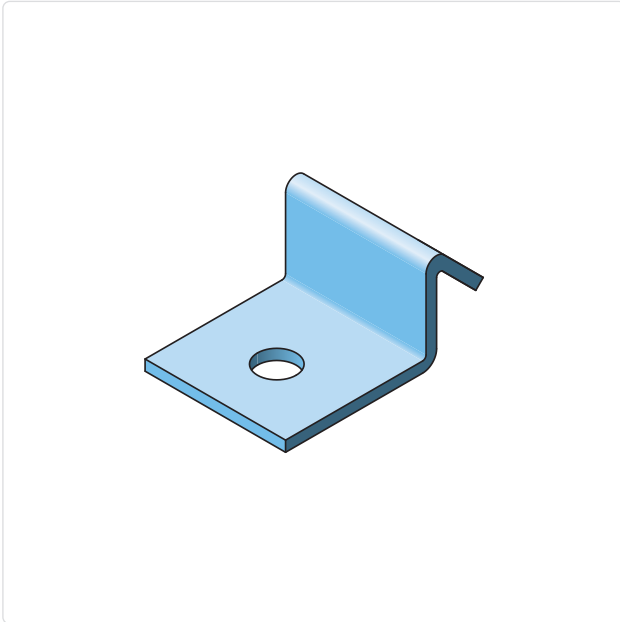


## ESL-HC

### Hold Down Clamp Marine Ladder



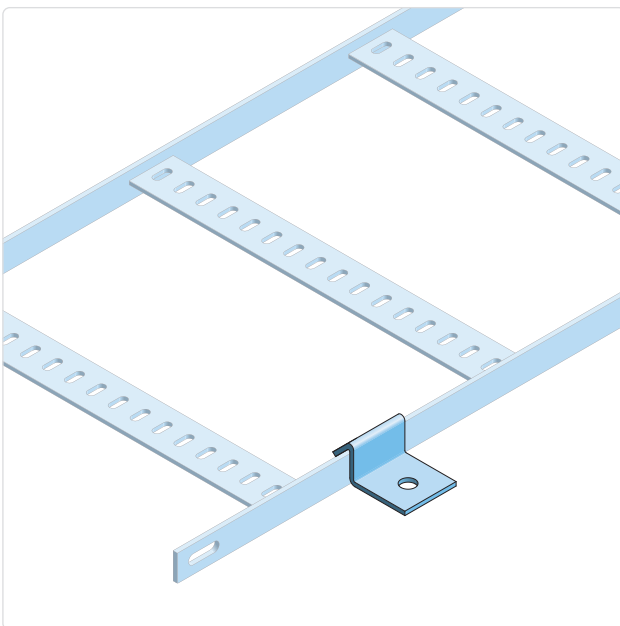
- ✓ Standard execution **hot dip galvanized carbon steel** in accordance with NEN-EN-ISO 1461
- ✓ High zinc coating thickness of **at least 85 µm**
- ✓ Also available in **stainless steel 316L** and **stainless steel 304**
- ✓ Standard width 75–500 mm
- ✓ Standard radius for accessories 150 mm
- ✓ Standard angle for accessories 90°
- ✓ Other widths, angles and radii available on request

#### Description

The Eurostrut ESL-HC hold-down clamp is a fixing bracket for the ESL marine ladder and is used for direct mounting of cable ladders to wall, ceiling, or steel structures. The clamp provides stable and mechanically reliable support of the ladder route and is designed for use in both horizontal and vertical installations.

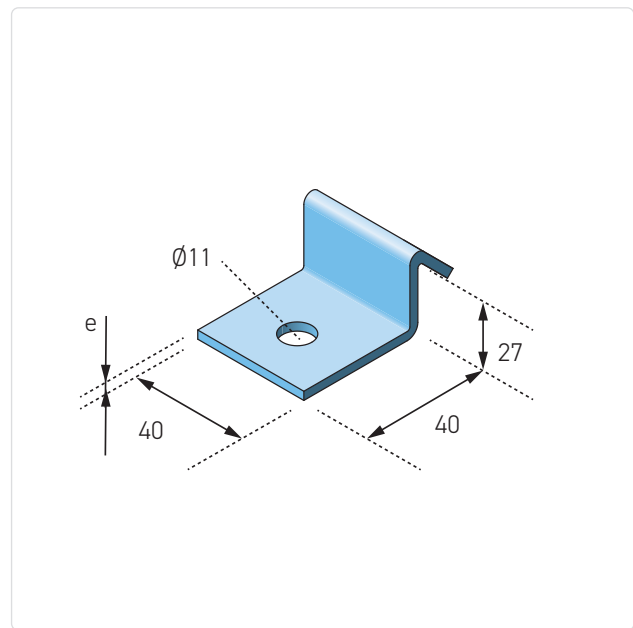
The hold-down clamp is manufactured from carbon steel and is standard hot-dip galvanized in accordance with NEN-EN-ISO 1461. The very high zinc coating thickness of approximately 85–120 µm provides enhanced and durable corrosion protection, making the fixing bracket suitable for long-term use in outdoor environments and in industrial or maritime conditions with increased corrosion exposure.

The construction is specifically matched to the geometry of the ESL marine ladder system and provides direct mechanical connection to the side rails of the ladder. Fixing is carried out using an M10 threaded connection. Fixing materials are not included as standard. The ESL-HC hold-down clamp is fully compatible with all ESL marine ladder widths and can be combined with standard Eurostrut fixing and mounting materials for a uniform system installation.



## Technical specifications

<b>Product type:</b>	Mounting clamp / fixing bracket for marine ladder
<b>System:</b>	ESL
<b>System height:</b>	30 mm
<b>System width:</b>	75 to 500 mm
<b>Thickness (e):</b>	5 mm
<b>Fixing size:</b>	M10 (fixing materials not included)
<b>Standard material:</b>	Carbon steel
<b>Surface treatment:</b>	Hot-dip galvanized in accordance with NEN-EN-ISO 1461
<b>Zinc coating thickness:</b>	Approx. 85–120 µm
<b>Standards:</b>	IEC 61537 / NEN-EN 61537
<b>Installation standard:</b>	NEN 1010
<b>Application:</b>	Fixing of ESL marine ladder to supporting structure
<b>Installation method:</b>	Direct mounting to wall, ceiling, or steel structure



## Available material variants

**HDG:** Hot-dip galvanized carbon steel in accordance with NEN-EN-ISO 1461, with a high coating thickness of 85 - 120 µm, suitable for heavy industrial and outdoor environments.

**Stainless steel 304 (A2 / 1.4301):** Stainless steel for indoor environments and lightly corrosive conditions.

**Stainless steel 316L (A4 / 1.4404):** Stainless steel with increased corrosion resistance for chemical, maritime, and offshore applications.

### Variants

Article number	W mm	H mm	e mm	kg/ unit
ESL-HC-H	40	27	5	0.11
ESL-HC-S304	40	27	5	0.12
ESL-HC-S316	40	27	5	0.12