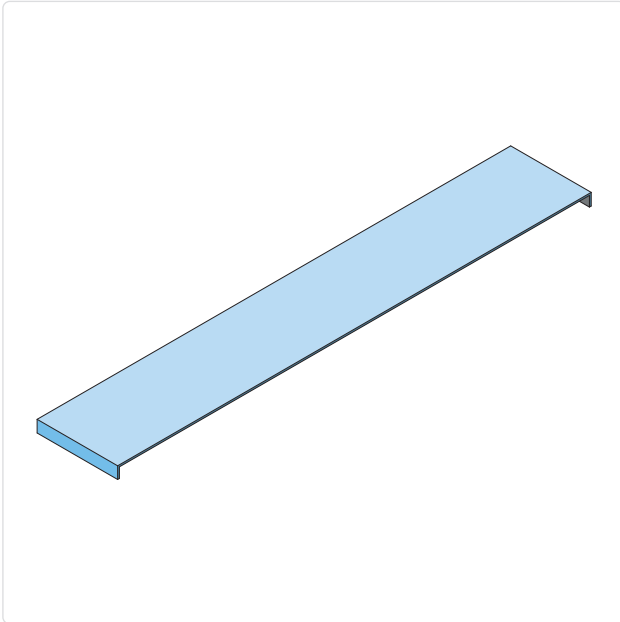


## ECTIRC-90

### Cover Outside Riser 90° Cable Tray ECTOR-90



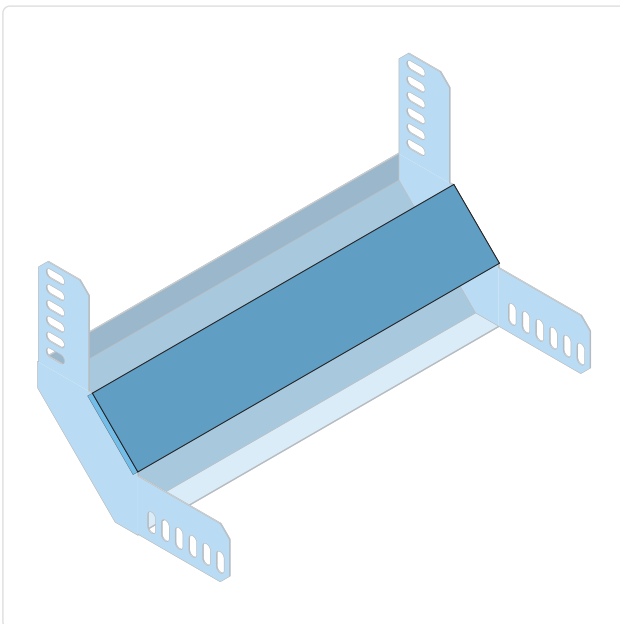
- ✓ Standard execution **hot dip galvanized carbon steel** in accordance with NEN-EN-ISO 1461
- ✓ High zinc coating thickness of **at least 60 µm**
- ✓ Also available in **pre-galvanized, stainless steel 316L** and **stainless steel 304**
- ✓ Standard width 75–600 mm
- ✓ Standard radius for accessories 50°
- ✓ Standard angles for accessories 45° and 90°
- ✓ Other widths, angles and radii available on request

#### Description

The ECTIRC90 cover is an accessory for the ECT60 and ECT100 cable tray systems and is used to cover 90° inside risers, specifically designed for the ECTIR60-90 and ECTIR100-90 inside risers. The cover ensures a closed and protected cable route at vertical direction changes and prevents the ingress of dust and dirt. This accessory is suitable for heavy industrial, utility, and infrastructure installations.

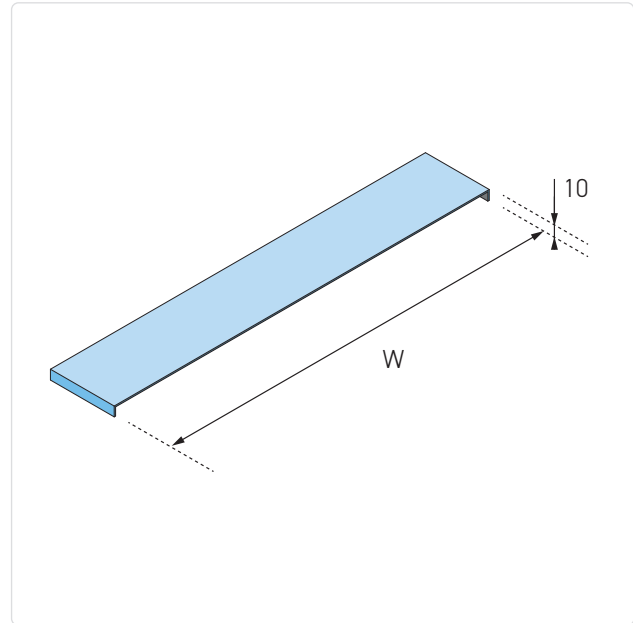
The standard execution is manufactured from hot-dip galvanized carbon steel in accordance with NEN-EN-ISO 1461, with a zinc coating thickness of at least 60 µm, making it suitable for heavy industrial and outdoor environments. The hot-dip galvanizing process is applied after fabrication and provides durable corrosion protection of the surface, including cut edges, in accordance with IEC 61537 and installations according to NEN 1010.

The cover is specifically designed for installation on 90° inside risers within the ECT system. Fixing is carried out using the ECTCC cover clamp (not included), ensuring stable and vibration-resistant fixation. The execution is fully compatible with the corresponding inside risers ECTIR60-90 and ECTIR100-90 and other system components.



## Technical specifications

<b>Product type:</b>	Cover for inside riser 90° ECTIR-90
<b>Compatibility:</b>	ECTIR60-90 and ECTIR100-90
<b>System:</b>	ECT60 and ECT100
<b>System height:</b>	60 mm and 100 mm
<b>System width:</b>	75 to 600 mm
<b>Material thickness:</b>	1.0 to 1.5 mm
<b>Height:</b>	10 mm
<b>Angle:</b>	90°
<b>Radius:</b>	50 mm
<b>Change of direction:</b>	Vertical
<b>Standard material:</b>	Carbon steel
<b>Surface treatment:</b>	Hot-dip galvanized in accordance with NEN-EN-ISO 1461
<b>Zinc coating thickness:</b>	Minimum 60 µm
<b>Installation:</b>	Secured with ECTCC cover clamp (not included)
<b>Standards:</b>	IEC 61537, applicable within installations in accordance with NEN 1010



## Available material variants

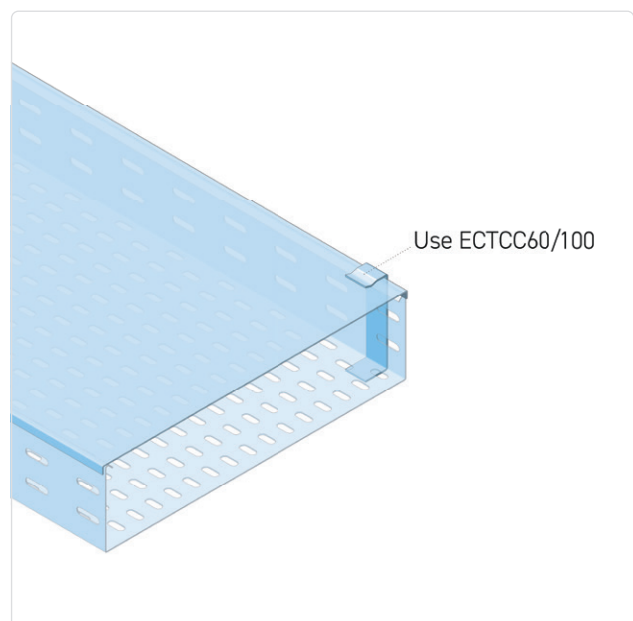
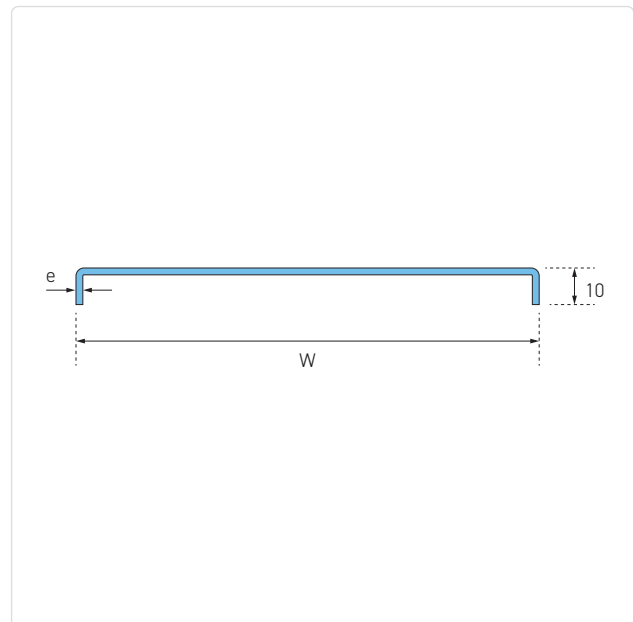
**PG:** Pre-galvanized steel (EN 10346), suitable for dry indoor environments and light industrial applications.

**HDG:** Hot-dip galvanized carbon steel in accordance with NEN-EN-ISO 1461, with a high coating thickness of at least 60 µm, suitable for heavy industrial and outdoor environments.

**SS 304 (A2 / 1.4301):** Stainless steel for indoor environments and lightly corrosive conditions.

**SS 316L (A4 / 1.4404):** Stainless steel with increased corrosion resistance for chemical, maritime, and offshore applications.

*Other widths, radii and angles available on request.*



## Variants

Article number	W mm	H mm	A deg°	R mm	e mm
ECTIRC-075-90-HDG	78	10	90	50	1.0
ECTIRC-100-90-HDG	103	10	90	50	1.0
ECTIRC-150-90-HDG	153	10	90	50	1.0
ECTIRC-200-90-HDG	203	10	90	50	1.0
ECTIRC-300-90-HDG	303	10	90	50	1.0
ECTIRC-400-90-HDG	403	10	90	50	1.5
ECTIRC-500-90-HDG	503	10	90	50	1.5
ECTIRC-600-90-HDG	603	10	90	50	1.5

Available material variants	Change HDG to
Hot dip galvanized	-
Pre-galvanized (PG)	PG
Stainless steel A4 / 316L	SS316
Stainless steel A2 / 304	SS304

## Different material thickness

PG	SS316	SS304	e mm
ECTIRC-400-90-PG	ECTIRC-400-90-SS316	ECTIRC-400-90-SS304	1.0

