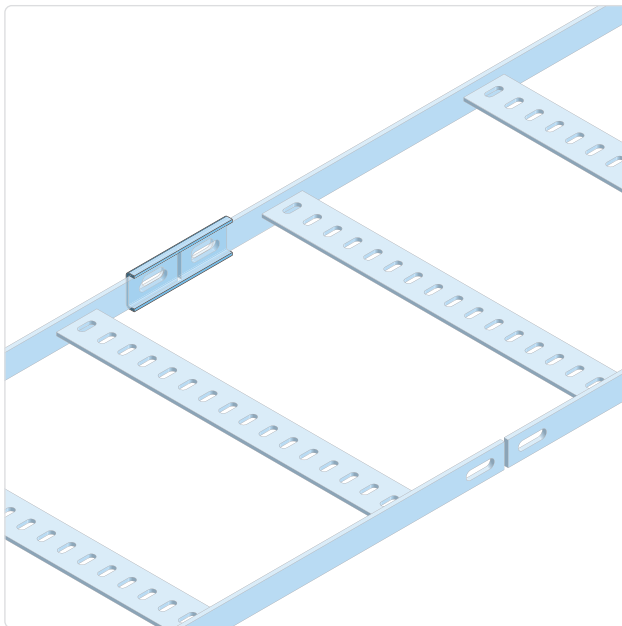
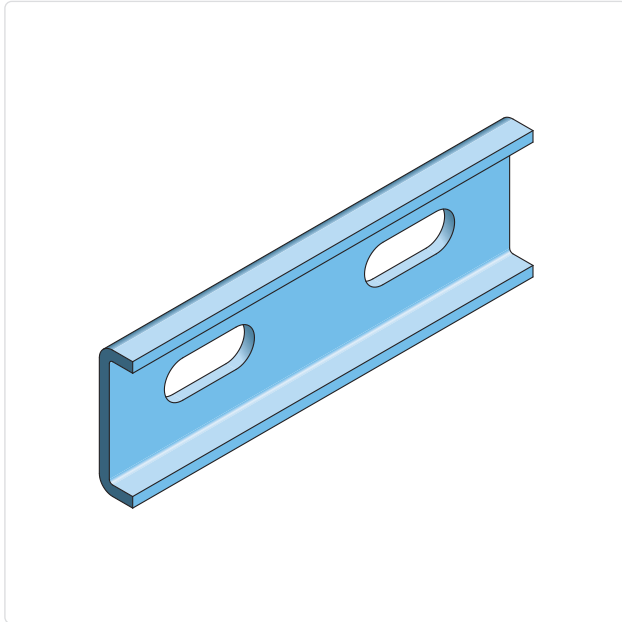


ESL-SC

Straight Connector Marine Ladder



- ✓ Standard execution **hot dip galvanized carbon steel** in accordance with NEN-EN-ISO 1461
- ✓ High zinc coating thickness of **at least 85 µm**
- ✓ Also available in **stainless steel 316L** and **stainless steel 304**
- ✓ Standard width 75–500 mm
- ✓ Standard radius for accessories 150 mm
- ✓ Standard angle for accessories 90°
- ✓ Other widths, angles and radii available on request

Description

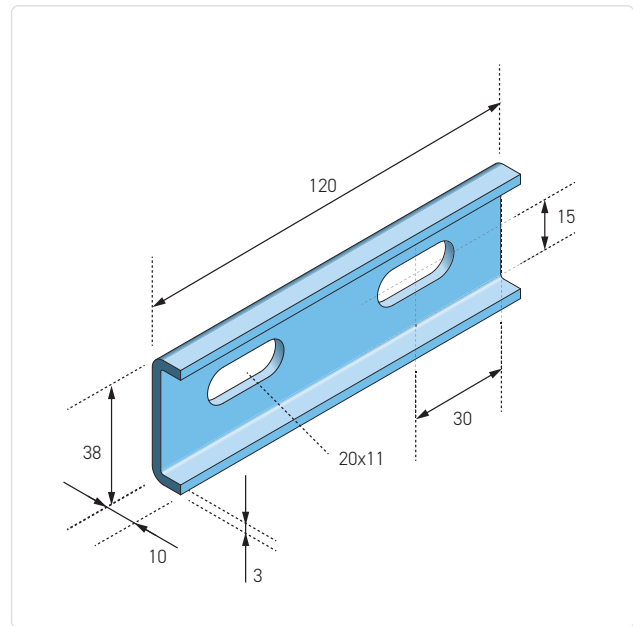
The Eurostrut ESL-SC straight connector is a connection plate for the ESL marine ladder and is used for the straight connection of two ESL ladder sections in the longitudinal direction. The straight connector provides a mechanically stable and properly aligned connection within the cable support system, maintaining the structural continuity of the ladder route.

The straight connector is manufactured from carbon steel and is standard hot-dip galvanized in accordance with NEN-EN-ISO 1461. The very high zinc coating thickness of approximately 85–120 µm provides enhanced and durable corrosion protection, making the connector suitable for long-term use in outdoor environments and in industrial or maritime conditions with increased corrosion exposure.

The construction is specifically matched to the geometry of the ESL marine ladder system and enables direct alignment and connection of adjacent ladder sections. Installation is carried out using the included ESL-SB fixing sets (M10x20). Each straight connector is supplied with 2 fixing sets as standard. The ESL-SC straight connector is fully compatible with all ESL marine ladder widths and other ESL system components.

Technical specifications

Product type:	Straight connector for marine ladder
System:	ESL
System height:	30 mm
System width:	75 to 500 mm
Length:	120 mm
Height:	38 mm
Depth:	10 mm
Perforation:	20 × 11 mm
Thickness (e):	3 mm
Standard material:	Carbon steel
Surface treatment:	Hot-dip galvanized in accordance with NEN-EN-ISO 1461
Zinc coating thickness:	Approx. 85–120 µm
Standards:	IEC 61537 / NEN-EN 61537
Installation standard:	NEN 1010
Application:	Straight connection of ESL ladder sections
Installation method:	Mechanical connection with bolt sets
Included:	2x ESL-SB fixing set M10x20



Available material variants

HDG: Hot-dip galvanized carbon steel in accordance with NEN-EN-ISO 1461, with a high coating thickness of 85 - 120 µm, suitable for heavy industrial and outdoor environments.

Stainless steel 304 (A2 / 1.4301): Stainless steel for indoor environments and lightly corrosive conditions.

Stainless steel 316L (A4 / 1.4404): Stainless steel with increased corrosion resistance for chemical, maritime, and offshore applications.

Variants

Article number	W mm	H mm	e mm	kg/ unit
ESL-SC-H	120	38	3	0.1
ESL-SC-S304	120	38	3	0.1
ESL-SC-S316	120	38	3	0.1